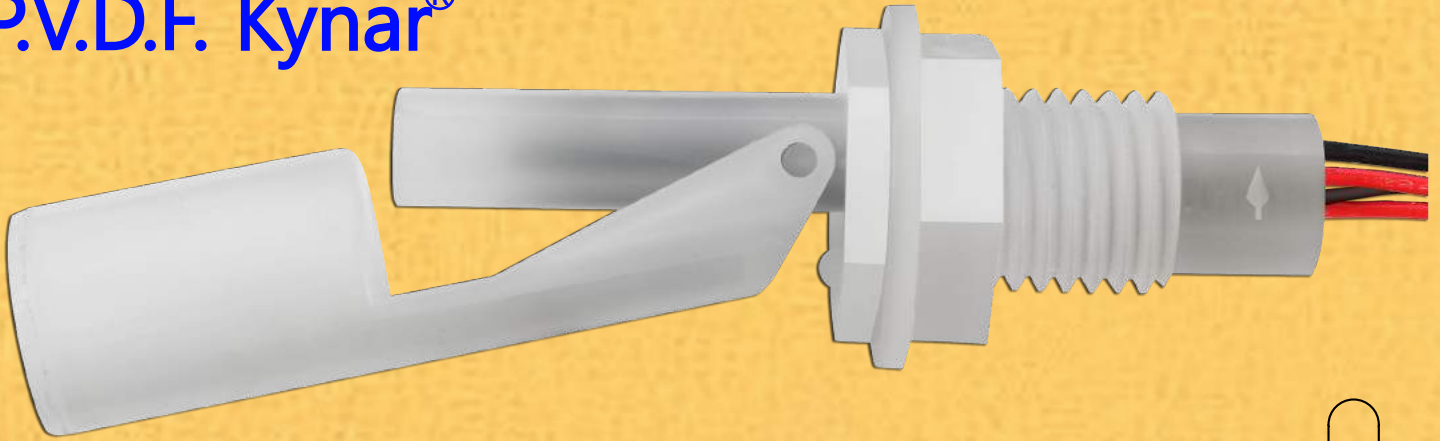


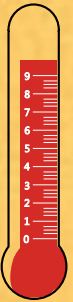
Level + Temp. Sensor Thermistor(NTC)

P.V.D.F. Kynar®



LKF-H6710-AT

Float Size: Ø17X26



M12

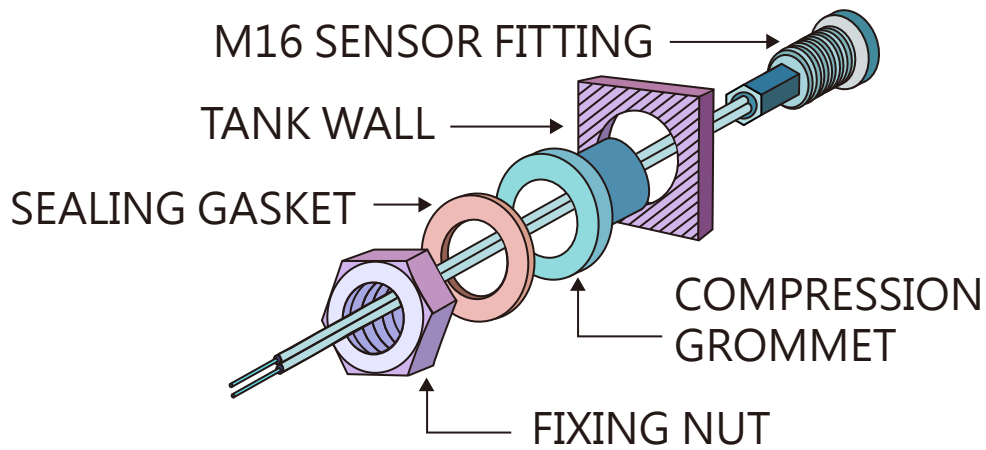
LKF-M6710-AT

Float Size: Ø17X26

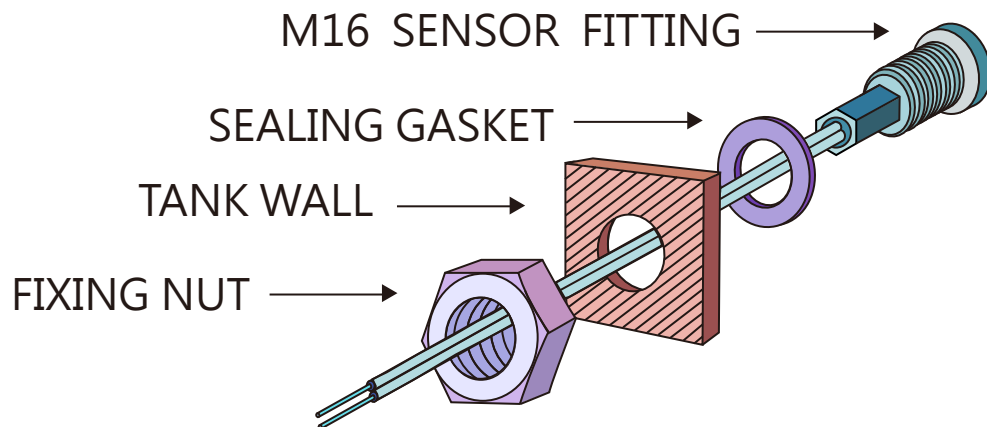
LKF

Installation Guide

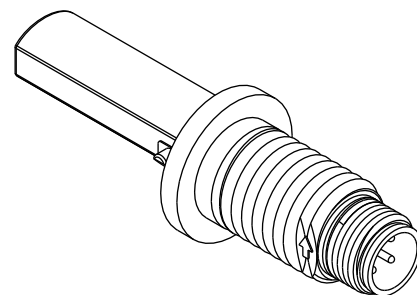
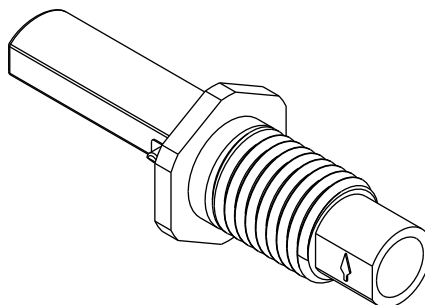
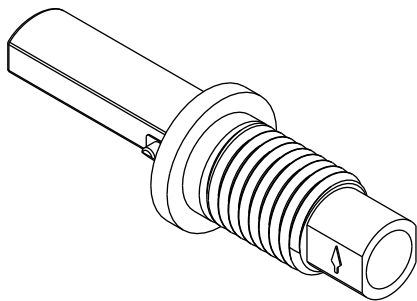
EXTERNAL FITTING



INTERNAL FITTING



PVDF Flange Shape & Float Code.



M12 Receptacle

R

H

M

R 67 Round Shape

H 67 Hex. Shape

M 67 Round Shape

Order Code	
50W	LKF-R6710-A
100W	LKF-R6710-B

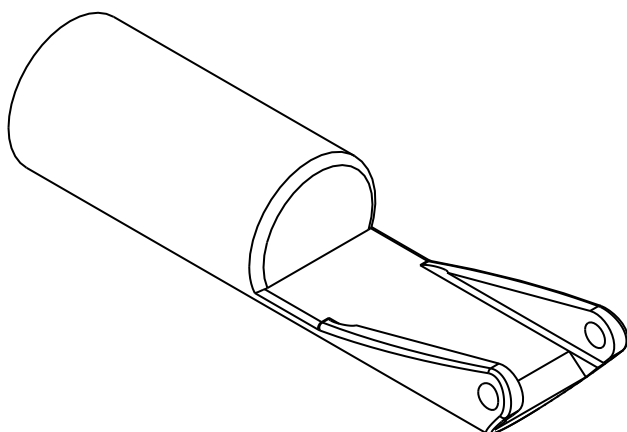
Order Code	
50W	LKF-H6710-A
100W	LKF-H6710-B

Order Code	
50W	LKF-M6710-A
100W	LKF-M6710-B

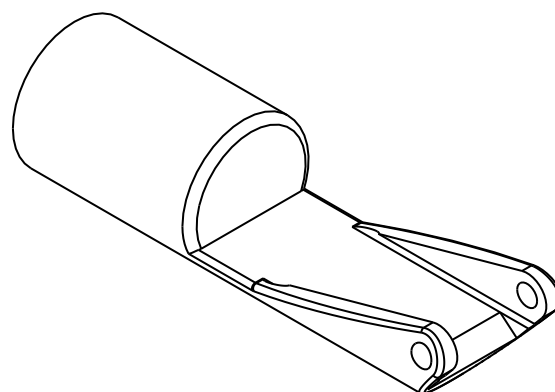
Order Code	
50W	LKF-R6720-A
100W	LKF-R6720-B

Order Code	
50W	LKF-H6720-A
100W	LKF-H6720-B

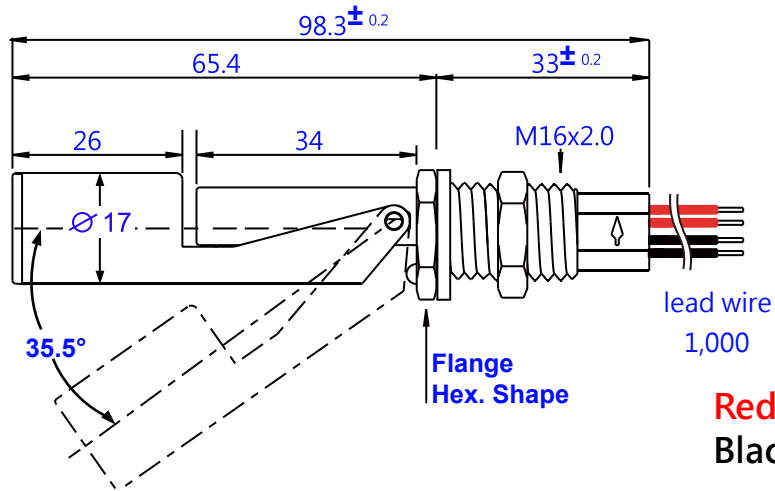
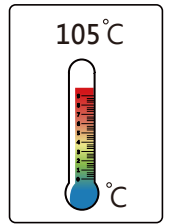
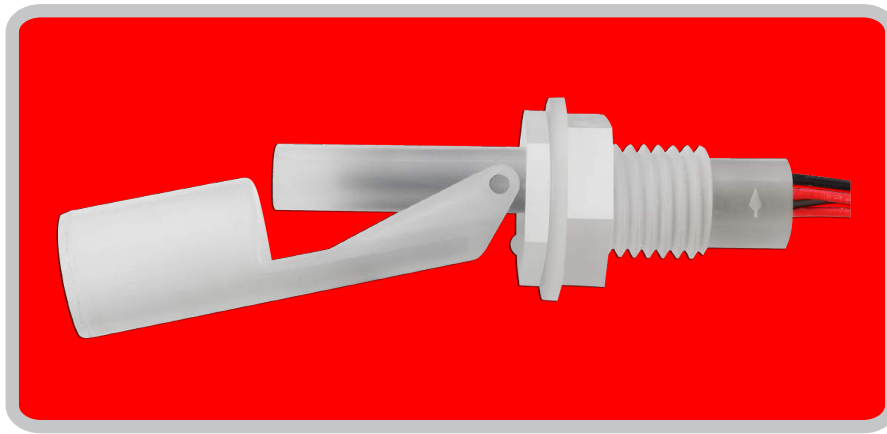
Order Code	
50W	LKF-M6720-A
100W	LKF-M6720-B



Size:Ø 17.3X36.4
 Parts Code:6720

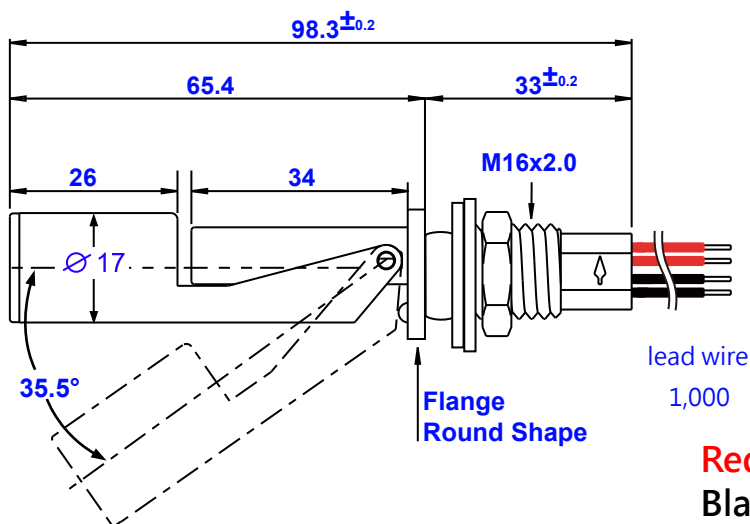
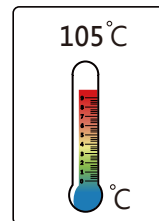
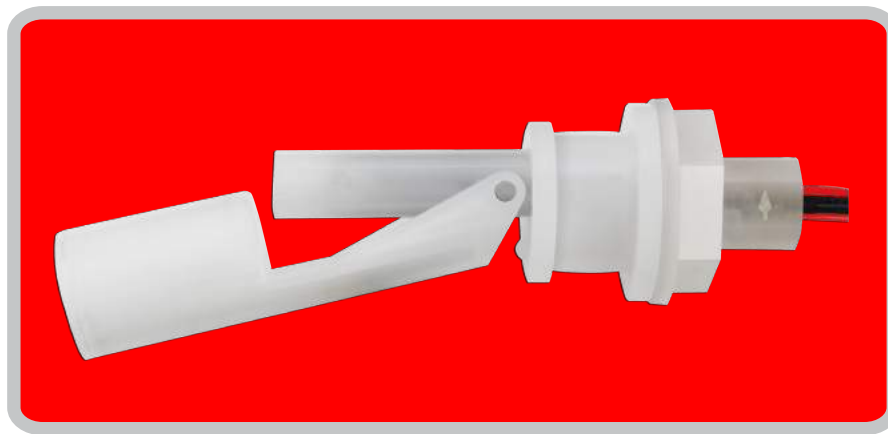


Size:Ø 17.3X26.3
 Parts Code:6710



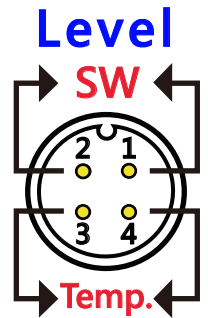
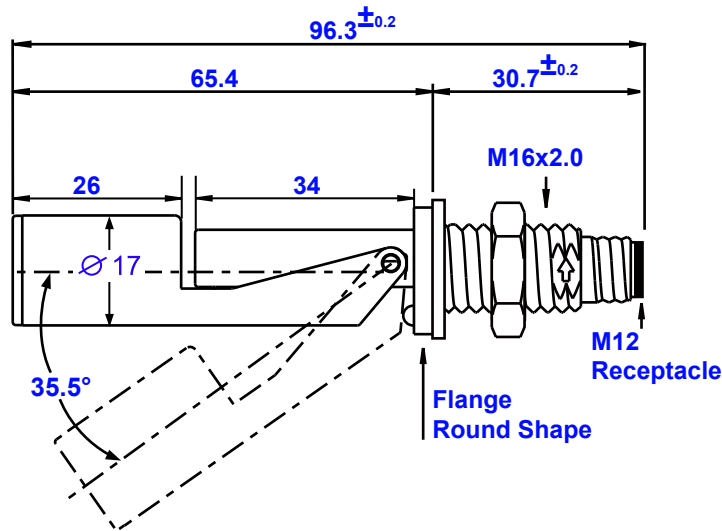
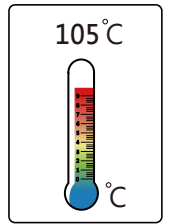
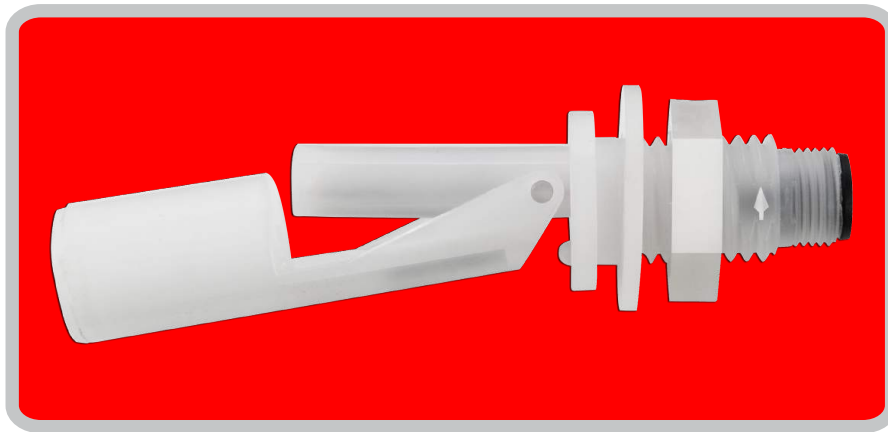
Red-Thermistor
Black-Level Switch

Level Switch :	LKF-H6710-AT	LKF-H6710-BT
Mounting Thread	M16 x P2.0/Internal Fitting	
Float & Stem Material	PVDF (Polyvinylidene Fluoride),kynar®	
Maximum Temperature	-20°C To +105°C	
Maximum Pressure	5 bar	
Float S.G.	0.8	
Minimum Fluid S.G.	0.85	
Contact Form	SPST	
Switching Power Max. W/VA	50W	100W
Switching Voltage AC /DC : Max. Vac/Vdc	300Vac/350Vdc · DC 0.7 A / AC 0.5 A	150Vac/200Vdc · DC 1.0 A / AC 0.7 A
Switching Current Max. A	2.5A	
Electrical Termination	UL 3266 AWG 22 XLPE Lead Wire 1 M	
Temperature Sensor :	NTC Thermistor Technology	
Nominal Temperature Resistance	10k Ohm at 25°C	
Resistance Tolerance @25°C	± 0.5%	
Operating Temperature Range	-20°C To +120°C	
Temperature Tolerance 0°C~70°C	± 0.2°C	
Beta Value 0/50°C	3,892K (0/50°C)	
Tolerance On Beta Value 0/50	0.5%	
Response Time In Liquid	< 1 Sec. at+25°C to 75°C	
Dissipation Constant In Still Air	0.75 mW/°C	



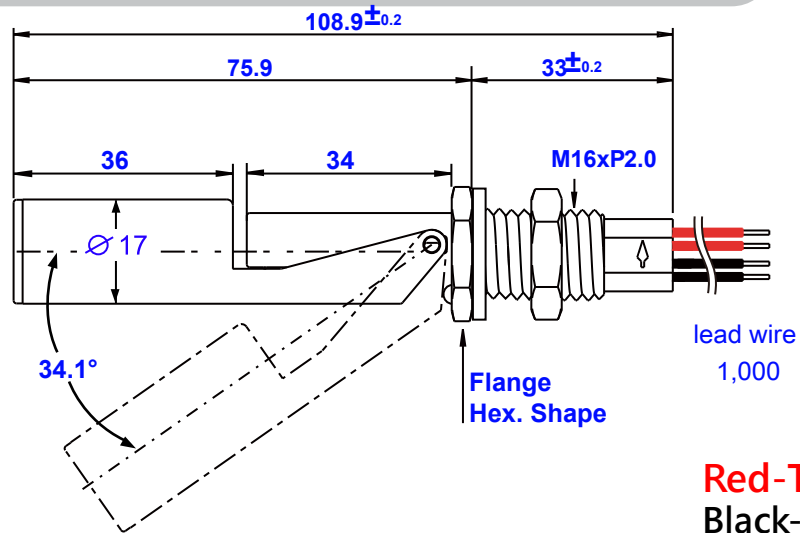
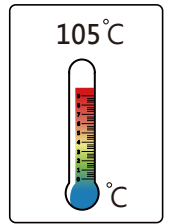
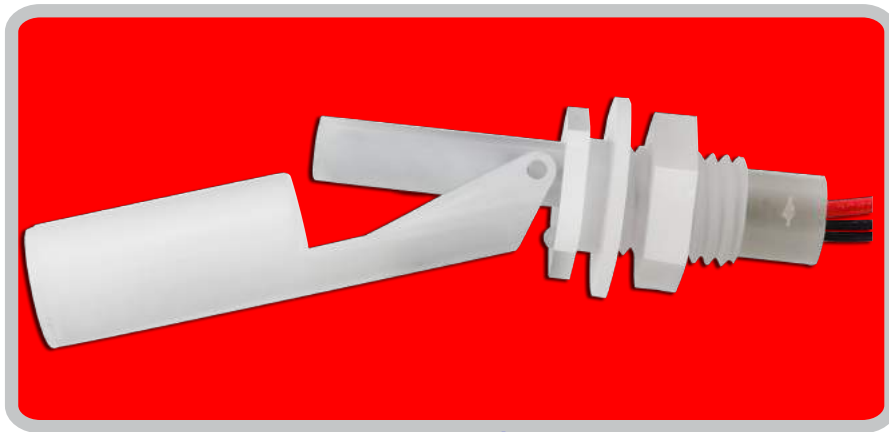
Red-Thermistor
Black-Level Switch

Level Switch :	LKF-R6710-AT	LKF-R6710-BT
Mounting Thread	M16 x P2.0/Universal In/External Fitting	
Float & Stem Material	PVDF (Polyvinylidene Fluoride),kynar®	
Maximum Temperature	-20°C To +105°C	
Maximum Pressure	5 bar	
Float S.G.	0.8	
Minimum Fluid S.G.	0.85	
Contact Form	SPST	
Switching Power Max. W/VA	50W	100W
Switching Voltage AC /DC : Max. Vac/Vdc	300Vac/350Vdc · DC 0.7 A / AC 0.5 A	150Vac/200Vdc · DC 1.0 A / AC 0.7 A
Switching Current Max. A	2.5A	
Electrical Termination	UL 3266 AWG 22 XLPE Lead Wire 1 M	
Temperature Sensor :	NTC Thermistor Technology	
Nominal Temperature Resistance	10k Ohm at 25°C	
Resistance Tolerance @25°C	± 0.5%	
Operating Temperature Range	-20°C To +120°C	
Temperature Tolerance 0°C~70°C	± 0.2°C	
Beta Value 0/50°C	3,892K (0/50°C)	
Tolerance On Beta Value 0/50	0.5%	
Response Time In Liquid	< 1 Sec. at+25°C to 75°C	
Dissipation Constant In Still Air	0.75 mW/°C	



Level Switch Pin 1 & 2
Thermistor Pin 3 & 4

Level Switch :	LKF-M6710-AT	LKF-M6710-BT
Mounting Thread	M16/M12 Receptacle/ Internal Fitting	
Float & Stem Material	PVDF (Polyvinylidene Fluoride),kynar®	
Maximum Temperature	-20°C To +105°C	
Maximum Pressure	5 bar	
Float S.G.	0.8	
Minimum Fluid S.G.	0.85	
Contact Form	SPST	
Switching Power Max. W/VA	50W	100W
Switching Voltage AC /DC : Max. Vac/Vdc	300Vac/350Vdc · DC 0.7 A / AC 0.5 A	150Vac/200Vdc · DC 1.0 A / AC 0.7 A
Switching Current Max. A	2.5A	
Electrical Termination	M12 Receptacle Pins 1 & 2 For Switch	
Temperature Sensor :	NTC Thermistor Technology	
Nominal Temperature Resistance	10k Ohm at 25°C	
Resistance Tolerance @25°C	± 0.5%	
Operating Temperature Range	-20°C To +120°C	
Temperature Tolerance 0°C~70°C	± 0.2°C	
Beta Value 0/50°C	3,892K (0/50°C)	
Tolerance On Beta Value 0/50	0.5%	
Response Time In Liquid	< 1 Sec. at+25°C to 75°C	
Dissipation Constant In Still Air	0.75 mW/°C	

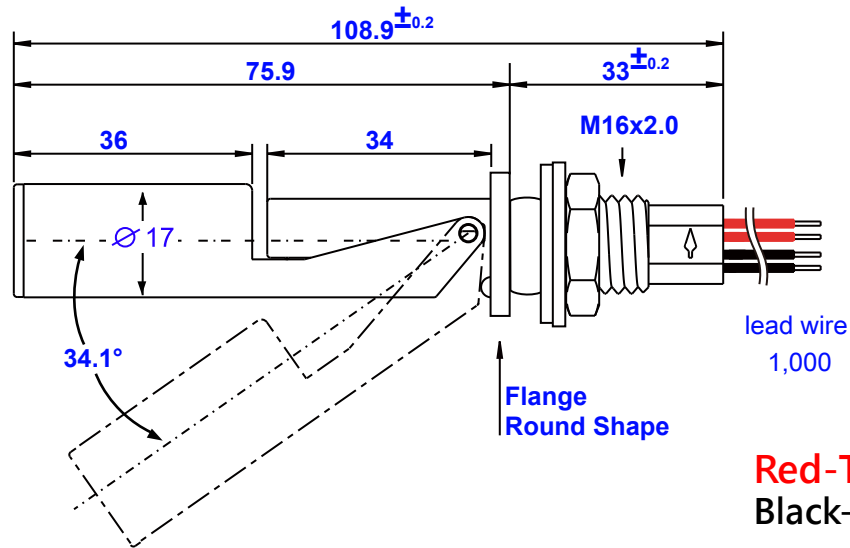
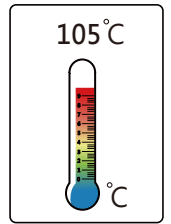
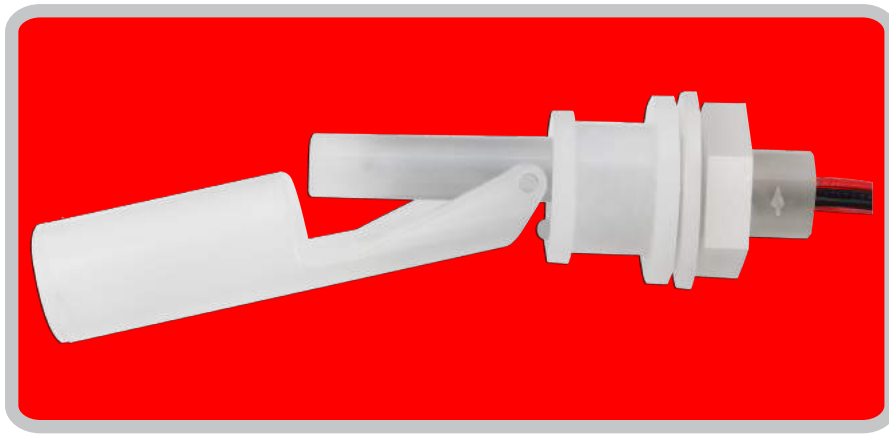


Red-Thermistor
Black-Level Switch

Level Switch :	LKF-H6720-AT	LKF-H6720-BT
Mounting Thread	M16 x P2.0/Internal Fitting	
Float & Stem Material	PVDF (Polyvinylidene Fluoride),kynar®	
Maximum Temperature	-20°C To +105°C	
Maximum Pressure	5 bar	
Float S.G.	0.7	
Minimum Fluid S.G.	0.8	
Contact Form	SPST	
Switching Power Max. W/VA	50W	100W
Switching Voltage AC /DC : Max. Vac/Vdc	300Vac/350Vdc · DC 0.7 A / AC 0.5 A	150Vac/200Vdc · DC 1.0 A / AC 0.7 A
Switching Current Max. A	2.5A	
Electrical Termination	UL 3266 AWG 22 XLPE Lead Wire 1 M	
Temperature Sensor :	NTC Thermistor Technology	
Nominal Temperature Resistance	10k Ohm at 25°C	
Resistance Tolerance @25°C	± 0.5%	
Operating Temperature Range	-20°C To +120°C	
Temperature Tolerance 0°C~70°C	± 0.2°C	
Beta Value 0/50°C	3,892K (0/50°C)	
Tolerance On Beta Value 0/50	0.5%	
Response Time In Liquid	< 1 Sec. at+25°C to 75°C	
Dissipation Constant In Still Air	0.75 mW/°C	

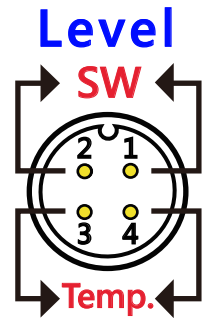
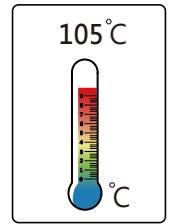
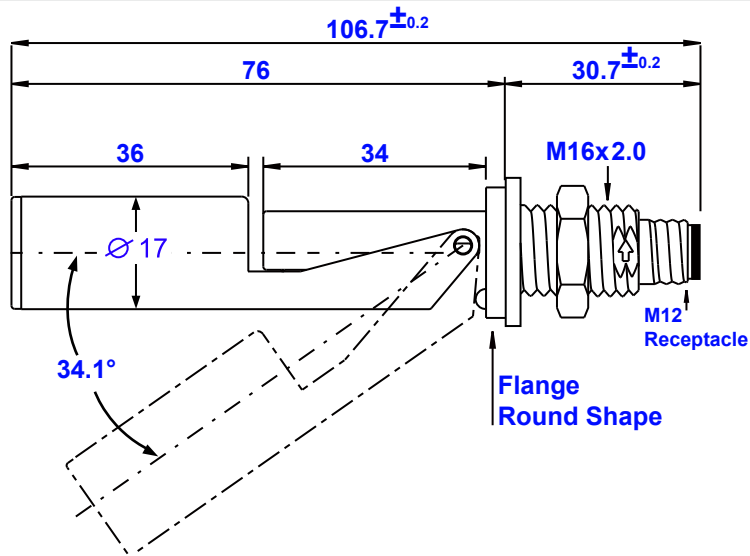
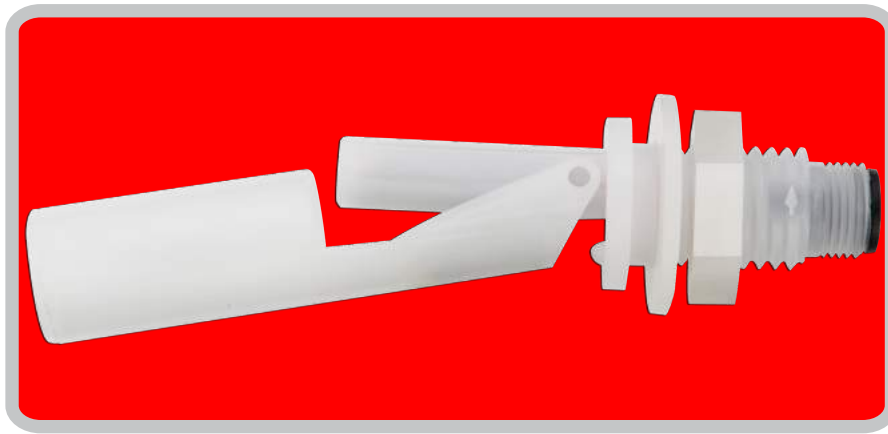


EOC. M.Büchner GmbH & Co.KG
 Heegwaldring 2 Gewerbegebiet Limeshain-Nord
 D - 63694 Limeshain Germany
 T: +49 (0)6047 - 96280 F: +49 (0)6047 - 962814
 E: info@m-buechner.de www.m-buechner.de



Red-Thermistor
Black-Level Switch

Level Switch :	LKF-R6720-AT	LKF-R6720-BT
Mounting Thread	M16 x P2.0/Universal In/External Fitting	
Float & Stem Material	PVDF (Polyvinylidene Fluoride),kynar®	
Maximum Temperature	-20°C To +105°C	
Maximum Pressure	5 bar	
Float S.G.	0.7	
Minimum Fluid S.G.	0.8	
Contact Form	SPST	
Switching Power Max. W/VA	50W	100W
Switching Voltage AC /DC : Max. Vac/Vdc	300Vac/350Vdc · DC 0.7 A / AC 0.5 A	150Vac/200Vdc · DC 1.0 A / AC 0.7 A
Switching Current Max. A	2.5A	
Electrical Termination	UL 3266 AWG 22 XLPE Lead Wire 1 M	
Temperature Sensor :	NTC Thermistor Technology	
Nominal Temperature Resistance	10k Ohm at 25°C	
Resistance Tolerance @25°C	± 0.5%	
Operating Temperature Range	-20°C To +120°C	
Temperature Tolerance 0°C~70°C	± 0.2°C	
Beta Value 0/50°C	3,892K (0/50°C)	
Tolerance On Beta Value 0/50	0.5%	
Response Time In Liquid	< 1 Sec. at+25°C to 75°C	
Dissipation Constant In Still Air	0.75 mW/°C	



Level Switch Pin 1 & 2
Thermistor Pin 3 & 4

Level Switch :	LKF-M6720-AT	LKF-M6720-BT
Mounting Thread	M16/M12 Receptacle/ Internal Fitting	
Float & Stem Material	PVDF (Polyvinylidene Fluoride),kynar®	
Maximum Temperature	-20°C To +105°C	
Maximum Pressure	5 bar	
Float S.G.	0.7	
Minimum Fluid S.G.	0.8	
Contact Form	SPST	
Switching Power Max. W/VA	50W	100W
Switching Voltage AC /DC : Max. Vac/Vdc	300Vac/350Vdc · DC 0.7 A / AC 0.5 A	150Vac/200Vdc · DC 1.0 A / AC 0.7 A
Switching Current Max. A	2.5A	
Electrical Termination	M12 Receptacle Pins 1 & 2 For Switch	
Temperature Sensor :	NTC Thermistor Technology	
Nominal Temperature Resistance	10k Ohm at 25°C	
Resistance Tolerance @25°C	± 0.5%	
Operating Temperature Range	-20°C To +120°C	
Temperature Tolerance 0°C~70°C	± 0.2°C	
Beta Value 0/50°C	3,892K (0/50°C)	
Tolerance On Beta Value 0/50	0.5%	
Response Time In Liquid	< 1 Sec. at+25°C to 75°C	
Dissipation Constant In Still Air	0.75 mW/°C	

Series: LK _____ **L K** - -

Body:
F: PVDF
P: P.P.

Process Edge Shape:
R: Round Shape
H: Hex. Shape
M: M12 Receptacle

Process Connection Thread:
67: M16 x P2.0
68: 1/2" NPT
69: 1/2" GBSP

Float Size:
10: Ø17.3 x 26.3
20: Ø17.3 x 36.3

Contact Rating:
A: 50W
B: 100W
AT: 50W+Temp. Sensor(NTC)
BT: 100W+Temp. Sensor(NTC)

X:Conduit Special Request: _____