

P.V.D.F For High Corrosive Liquid



LKF-R6710



M12

LKF-M6710

P.V.D.F. Kynar®

LKF

1/2"NPT Fitting

P.V.D.F For High Corrosive Liquid



LKF-H6810



M12

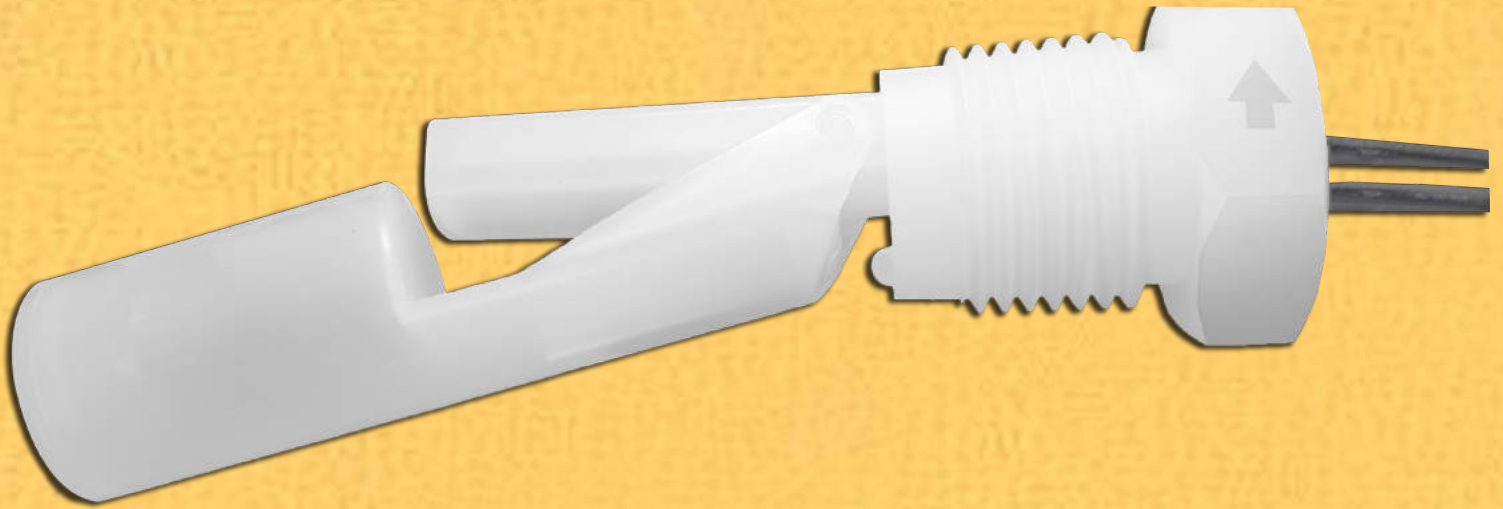
LKF-M6810

P.V.D.F. Kynar®

LKF

1/2" GBSP Fitting

P.V.D.F For High Corrosive Liquid



LKF-H6910



M12

LKF-M6910

P.V.D.F. Kynar®

LKF

P.V.D.F For High Corrosive Liquid



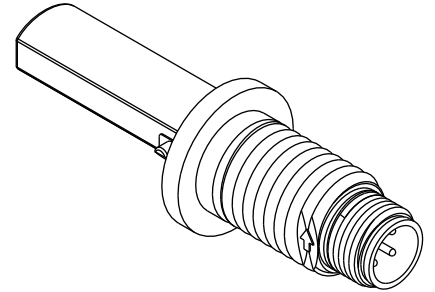
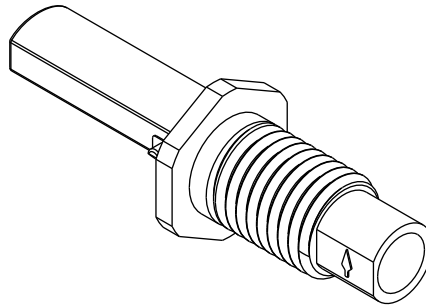
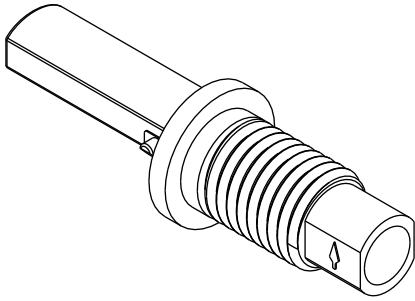
LPF-1160

LPF-2160

**Fitting:
1/8" NPT
1/8" G BSP**

LPF

PVDF Flange Shape & Float Code.



M12 Receptacle

R

H

M

R 67 Round Shape

H 67 Hex. Shape

M 67 Round Shape

Order Code	
50W	LKF-R6710-A
100W	LKF-R6710-B

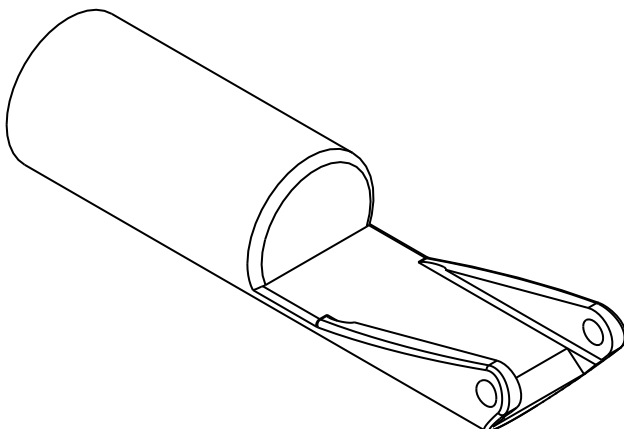
Order Code	
50W	LKF-H6710-A
100W	LKF-H6710-B

Order Code	
50W	LKF-M6710-A
100W	LKF-M6710-B

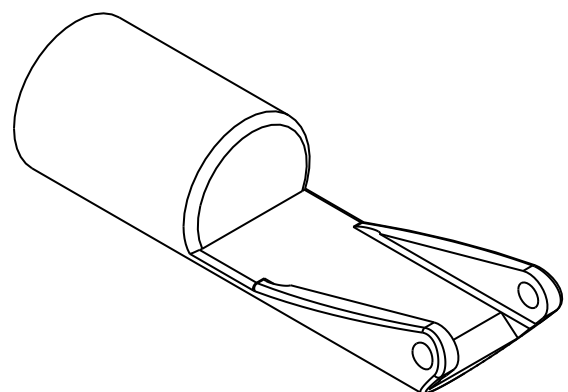
Order Code	
50W	LKF-R6720-A
100W	LKF-R6720-B

Order Code	
50W	LKF-H6720-A
100W	LKF-H6720-B

Order Code	
50W	LKF-M6720-A
100W	LKF-M6720-B



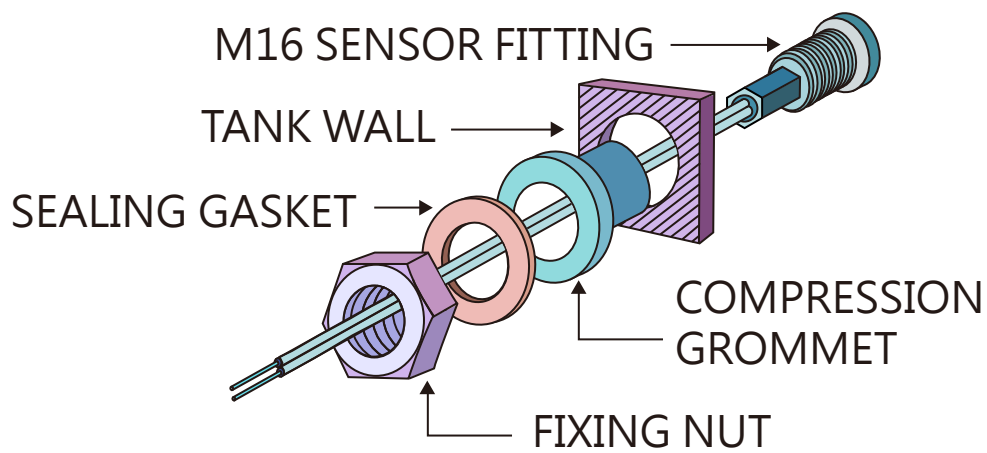
Size:Ø 17.3X36.4
Parts Code:6720



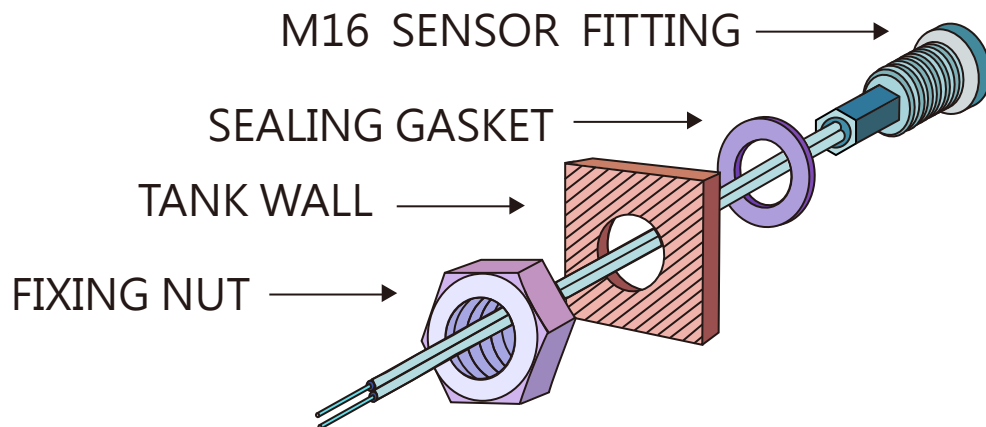
Size:Ø 17.3X26.3
Parts Code:6710

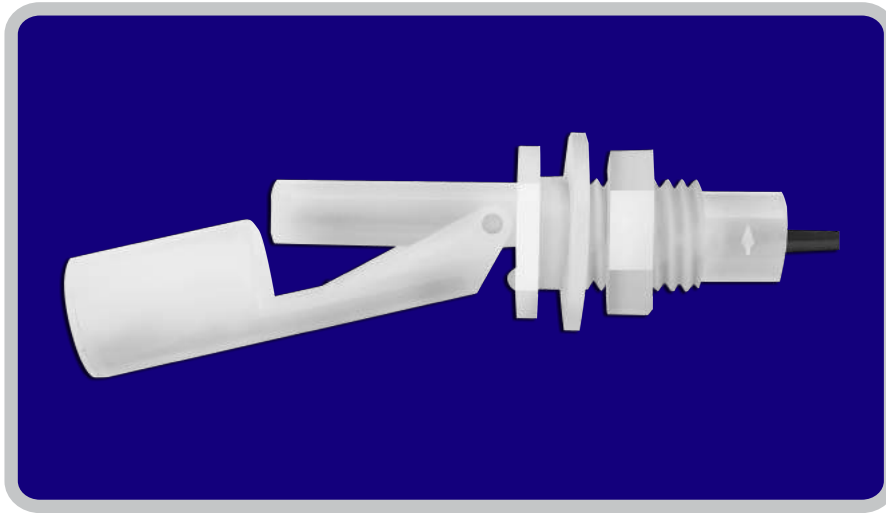
Installation Guide

EXTERNAL FITTING

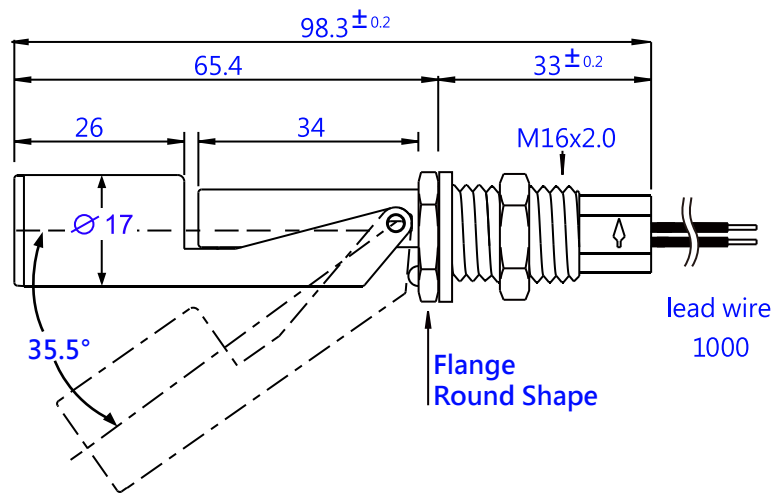


INTERNAL FITTING



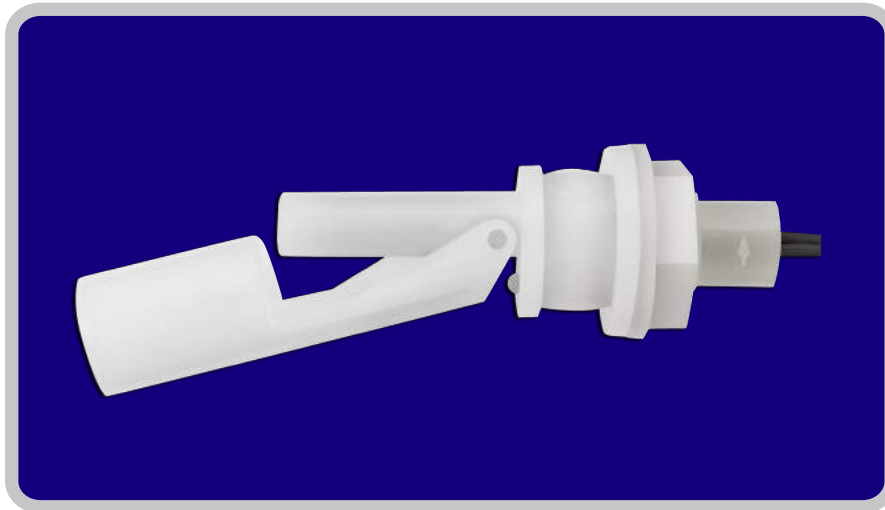


Housing Color:
P.V.D.F=White

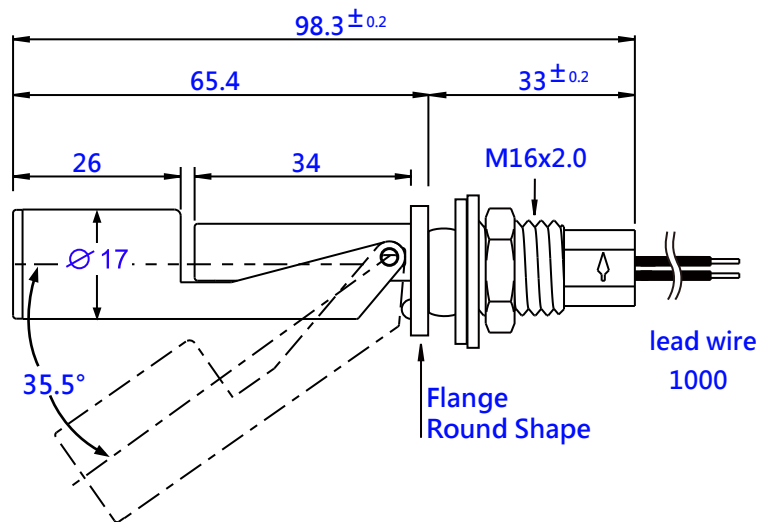


Internal Fitting

Parts Code:	LKF-H6710-A	LKF-H6710-B
Mounting thread	M16 x P2.0	
stem	PVDF (Polyvinylidene Fluoride),kynar®	
Float	PVDF, Ø17X26	
Operation Temp.	-20°C To +105°C	
Max.Pressure	5 bar	
Float S.G.	0.8	
Mini.Fluid S.G	0.85	
Contact Form	SPST	
Switch Rating VA	50W	100W
Switching Voltage Max.	300 Vac / 350 Vdc	50 Vac / 200 Vdc
Switching Current Max.	DC 0.7 A / AC 0.5 A	DC 1.0 A / AC 0.7 A
Carry Current Max.	2.5 A	
Lead Wires	UL 3266 AWG 22 XLPE Lead Wire 1M	

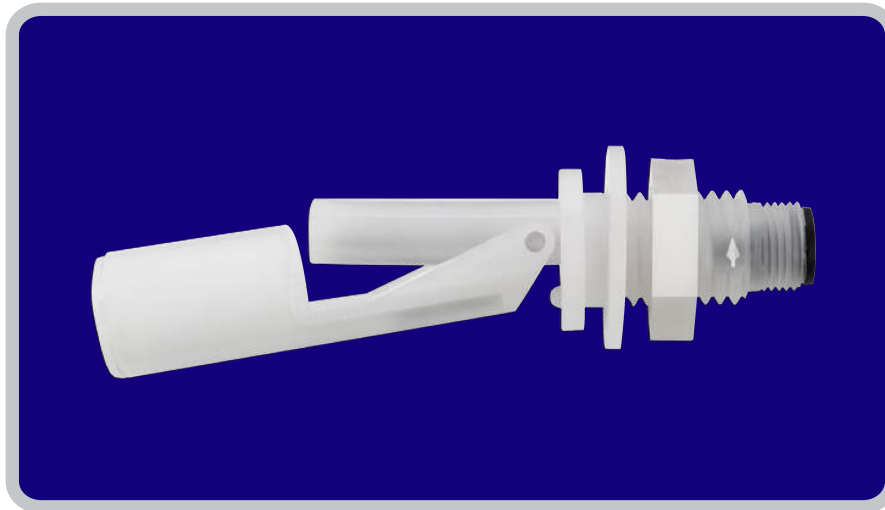


Housing Color:
P.V.D.F=White

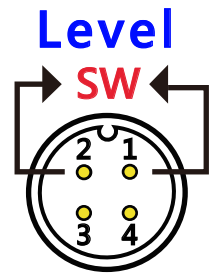
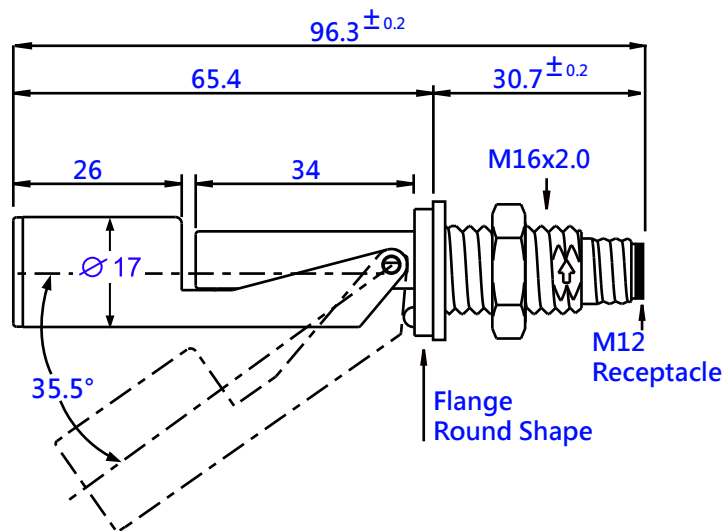


Universal In/External Fitting

Parts Code:	LKF-R6710-A	LKF-R6710-B
Mounting thread	M16 x P2.0	
stem	PVDF (Polyvinylidene Fluoride),kynar®	
Float	PVDF, Ø17X26	
Operation Temp.	-20°C To +105°C	
Max.Pressure	5 bar	
Float S.G.	0.8	
Mini.Fluid S.G	0.85	
Contact Form	SPST	
Switch Rating VA	50W	100W
Switching Voltage Max.	300 Vac / 350 Vdc	50 Vac / 200 Vdc
Switching Current Max.	DC 0.7 A / AC 0.5 A	DC 1.0 A / AC 0.7 A
Carry Current Max.	2.5 A	
Lead Wires	UL 3266 AWG 22 XLPE Lead Wire 1M	



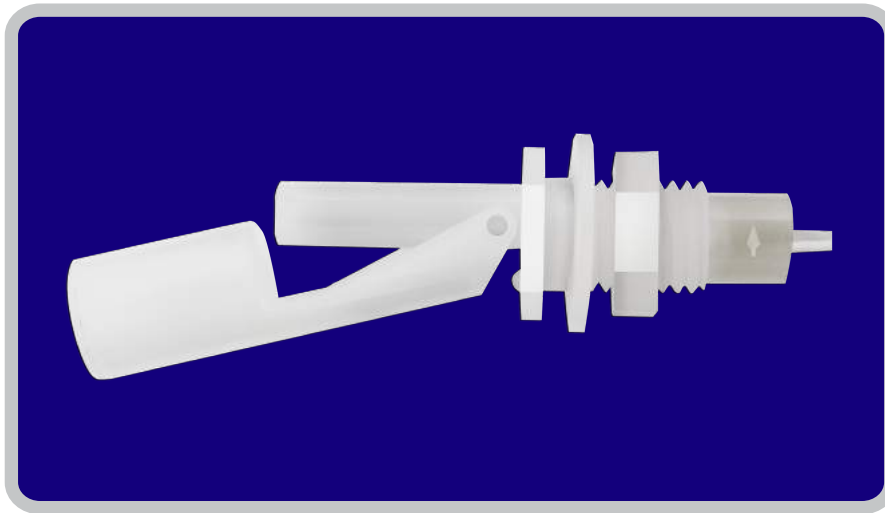
Housing Color:
P.V.D.F=White



Switch On Pins 1 & 2

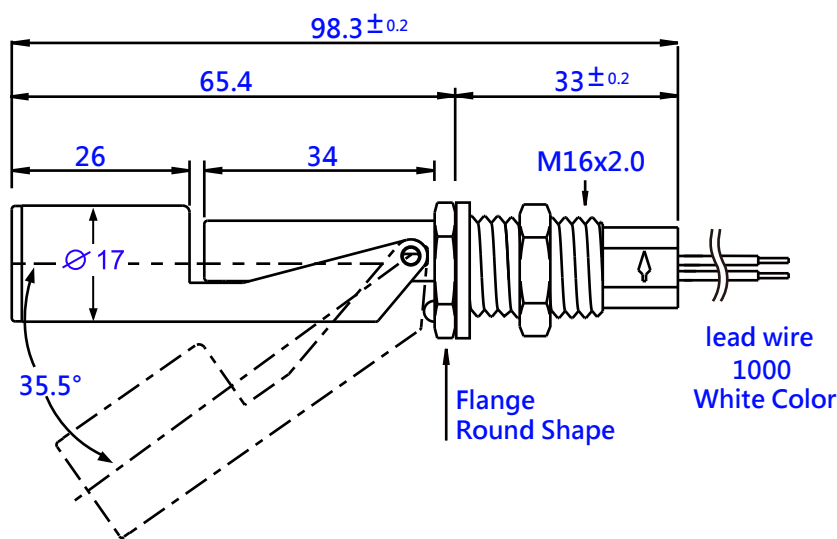
Internal Fitting

Parts Code:	LKF-M6710-A	LKF-M6710-B
Mounting thread	M16/M12 Receptacle	
stem	PVDF (Polyvinylidene Fluoride),kynar®	
Float	PVDF, Ø17X26	
Operation Temp.	-20°C To +105°C	
Max.Pressure	5 bar	
Float S.G.	0.8	
Mini.Fluid S.G	0.85	
Contact Form	SPST	
Switch Rating VA	50W	100W
Switching Voltage Max.	300 Vac / 350 Vdc	50 Vac / 200 Vdc
Switching Current Max.	DC 0.7 A / AC 0.5 A	DC 1.0 A / AC 0.7 A
Carry Current Max.	2.5 A	
Connection	M12 Receptacle Pins 1 & 2 For Switch	



Housing Color:
P.V.D.F=White

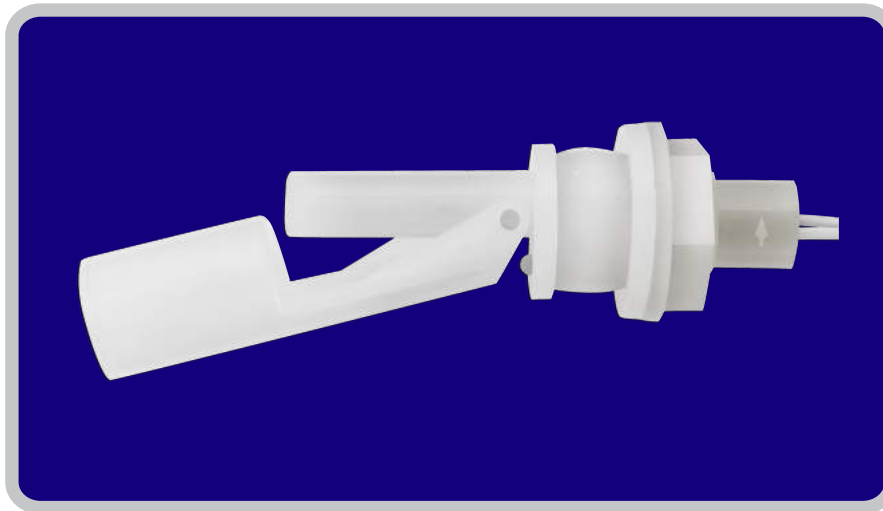
100W



Parts Code:

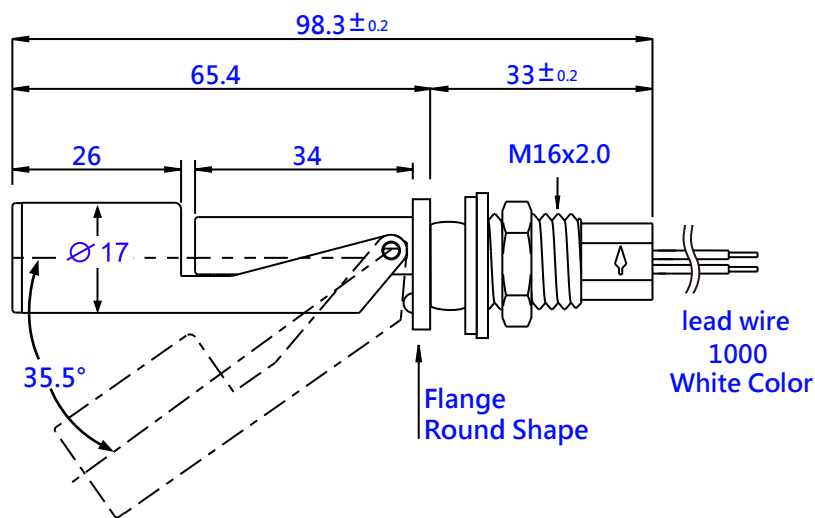
LKF-H6710-B

Mounting Style	Internal Fitting
Mounting thread	M16 x P2.0
stem	PVDF (Polyvinylidene Fluoride),kynar®
Float	PVDF, $\varnothing 17 \times 26$
Operation Temp.	-20°C To +105°C
Max.Pressure	5 bar
Float S.G.	0.8
Mini.Fluid S.G	0.85
Contact Form	SPST
Switch Rating VA	100W
Switching Voltage Max.	150 Vac / 200 Vdc
Switching Current Max.	DC 1.0 A / AC 0.7 A
Carry Current Max.	2.5 A
Lead Wires	UL 3266 AWG 22 XLPE Lead Wire 1M



Housing Color:
P.V.D.F=White

100W



Parts Code:

LKF-R6710-B

Mounting Style	Universal In/External Fitting
Mounting thread	M16 x P2.0
stem	PVDF (Polyvinylidene Fluoride),kynar®
Float	PVDF, Ø17X26
Operation Temp.	-20°C To +105°C
Max.Pressure	5 bar
Float S.G.	0.8
Mini.Fluid S.G	0.85
Contact Form	SPST
Switch Rating VA	100W
Switching Voltage Max.	150 Vac / 200 Vdc
Switching Current Max.	DC 1.0 A / AC 0.7 A
Carry Current Max.	2.5 A
Lead Wires	UL 3266 AWG 22 XLPE Lead Wire 1M



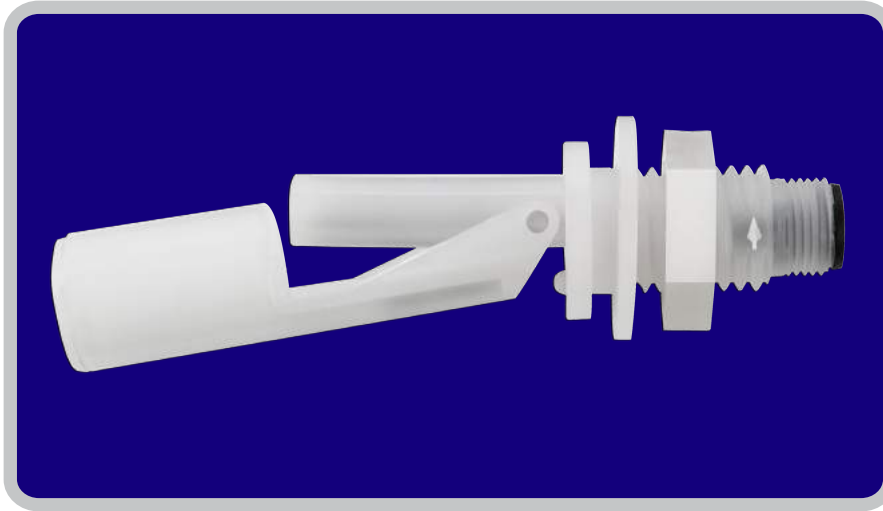
EOC. M.Büchner GmbH & Co.KG

Heegwaldring 2 Gewerbegebiet Limeshain-Nord

D - 63694 Limeshain Germany

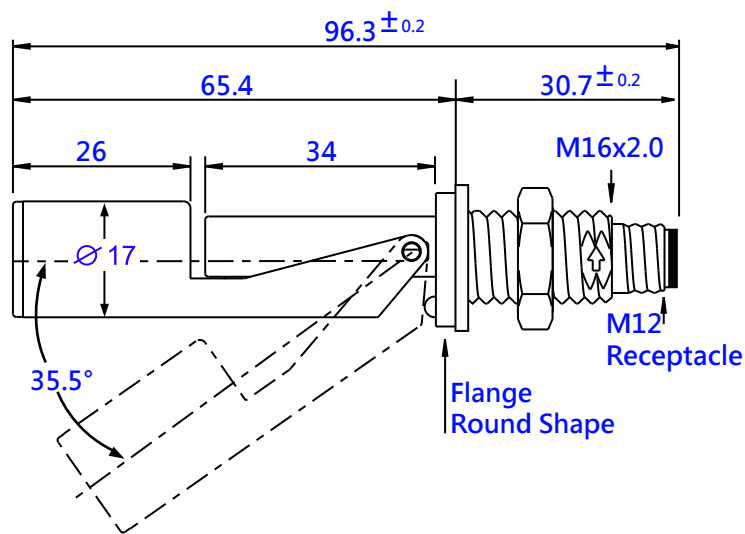
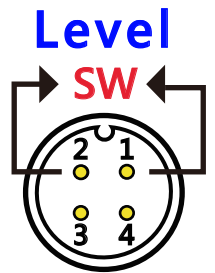
T: +49 (0)6047 - 96280 F: +49 (0)6047 - 962814

E: info@m-buechner.de www.m-buechner.de



Housing Color:
P.V.D.F=White

100W

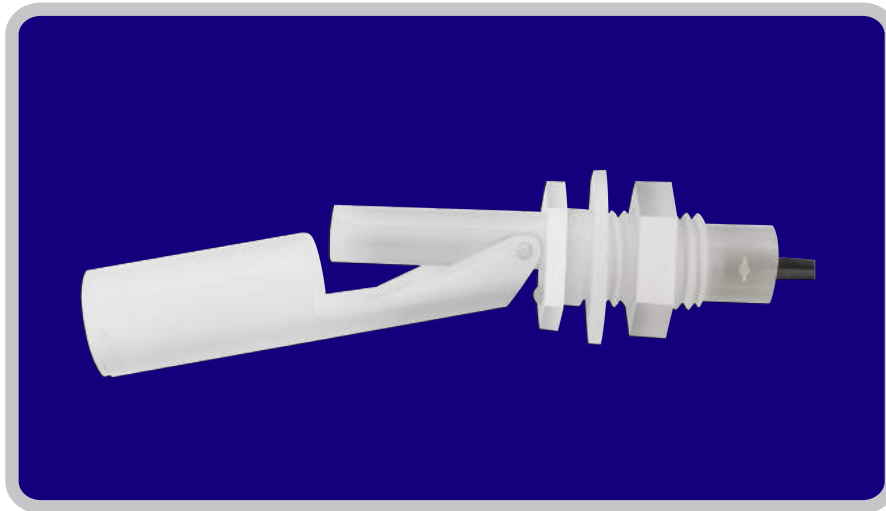


Switch On Pins 1 & 2

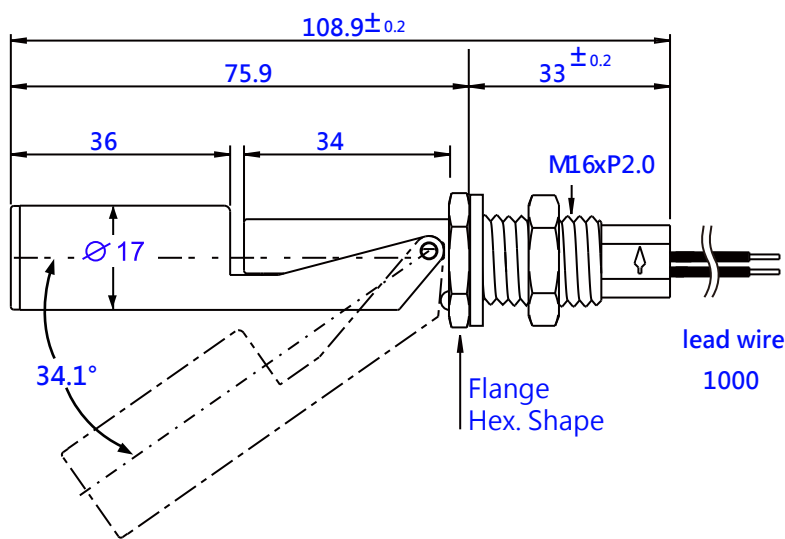
Parts Code:	LKF-M6710-B
Mounting Style	Internal Fitting
Mounting thread	M16/M12 Receptacle
stem	PVDF (Polyvinylidene Fluoride),kynar®
Float	PVDF, Ø17X26
Operation Temp.	-20°C To +105°C
Max.Pressure	5 bar
Float S.G.	0.8
Mini.Fluid S.G	0.85
Contact Form	SPST
Switch Rating VA	100W
Switching Voltage Max.	150 Vac / 200 Vdc
Switching Current Max.	DC 1.0 A / AC 0.7 A
Carry Current Max.	2.5 A
Connection	M12 Receptacle Pins 1 & 2 For Switch



EOC. M.Büchner GmbH & Co.KG
 Heegwaldring 2 Gewerbegebiet Limeshain-Nord
 D - 63694 Limeshain Germany
 T: +49 (0)6047 - 96280 F: +49 (0)6047 - 962814
 E: info@m-buechner.de www.m-buechner.de



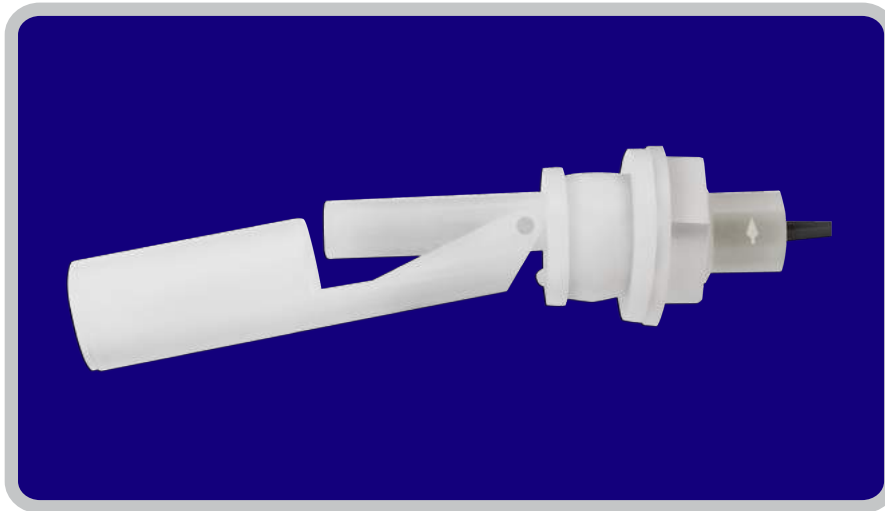
Housing Color:
P.V.D.F=White



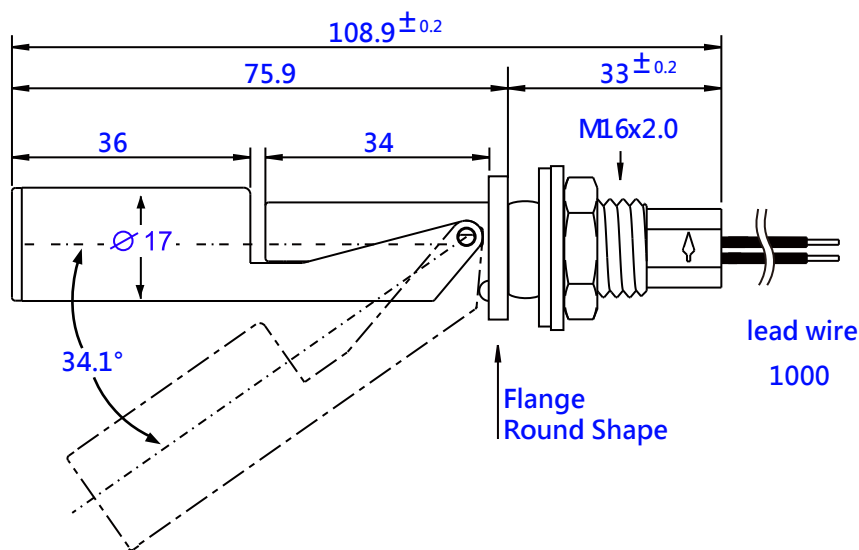
Parts Code:	Internal Fitting	
Parts Code:	LKF-H6720-A	LKF-H6720-B
Mounting thread	M16 x P2.0	
stem	PVDF (Polyvinylidene Fluoride),kynar®	
Float	PVDF, Ø17X36	
Operation Temp.	-20°C To +105°C	
Max.Pressure	5 bar	
Float S.G.	0.7	
Mini.Fluid S.G	0.8	
Contact Form	SPST	
Switch Rating VA	50W	100W
Switching Voltage Max.	300 Vac / 350 Vdc	50 Vac / 200 Vdc
Switching Current Max.	DC 0.7 A / AC 0.5 A	DC 1.0 A / AC 0.7 A
Carry Current Max.	2.5 A	
Lead Wires	UL 3266 AWG 22 XLPE Lead Wire 1M	



EOC. M.Büchner GmbH & Co.KG
 Heegwaldring 2 Gewerbegebiet Limeshain-Nord
 D - 63694 Limeshain Germany
 T: +49 (0)6047 - 96280 F: +49 (0)6047 - 962814
 E: info@m-buechner.de www.m-buechner.de



Housing Color:
P.V.D.F=White

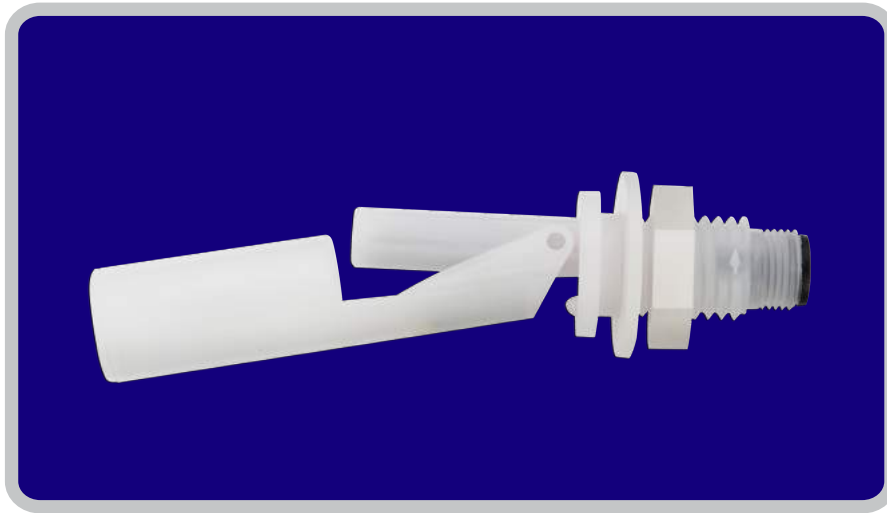


Parts Code: Universal In/External Fitting

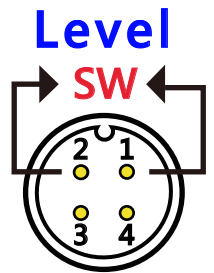
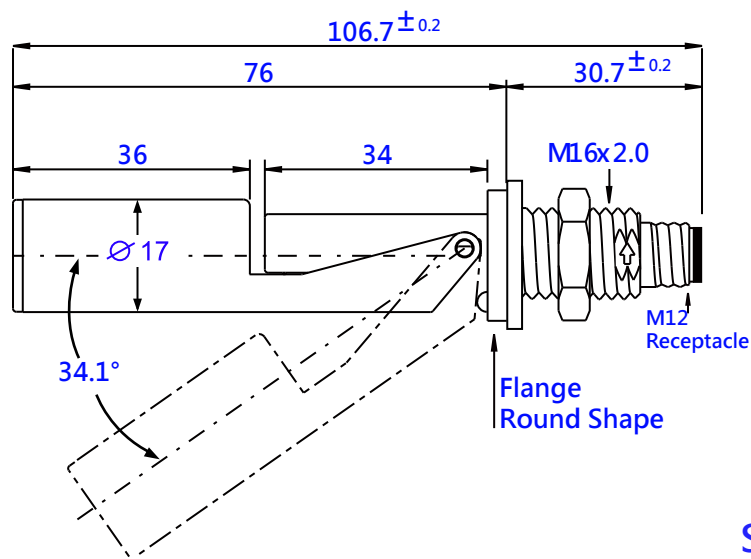
	LKF-R6720-A	LKF-R6720-B
Mounting thread	M16 x P2.0	
stem	PVDF (Polyvinylidene Fluoride),kynar®	
Float	PVDF, Ø17X36	
Operation Temp.	-20°C To +105°C	
Max.Pressure	5 bar	
Float S.G.	0.7	
Mini.Fluid S.G	0.8	
Contact Form	SPST	
Switch Rating VA	50W	100W
Switching Voltage Max.	300 Vac / 350 Vdc	50 Vac / 200 Vdc
Switching Current Max.	DC 0.7 A / AC 0.5 A	DC 1.0 A / AC 0.7 A
Carry Current Max.	2.5 A	
Lead Wires	UL 3266 AWG 22 XLPE Lead Wire 1M	



EOC. M.Büchner GmbH & Co.KG
 Heegwaldring 2 Gewerbegebiet Limeshain-Nord
 D - 63694 Limeshain Germany
 T: +49 (0)6047 - 96280 F: +49 (0)6047 - 962814
 E: info@m-buechner.de www.m-buechner.de



Housing Color:
P.V.D.F=White

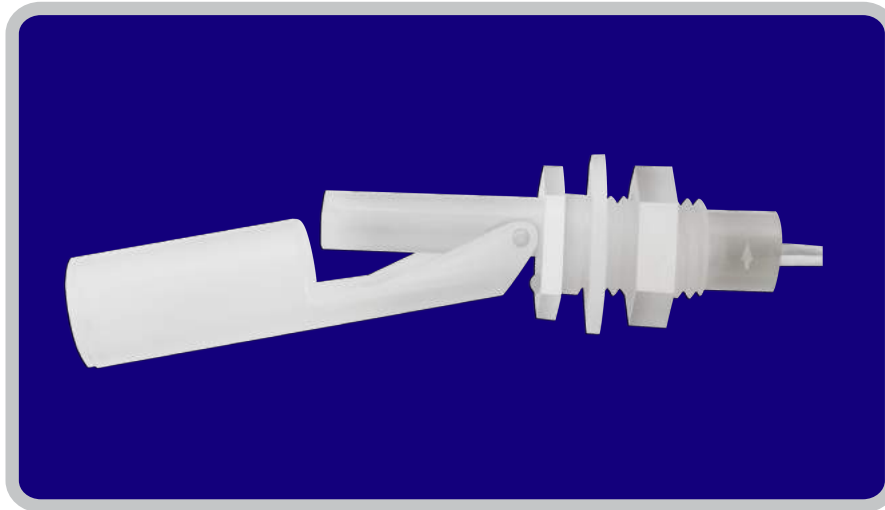


Switch On Pins 1 & 2

Parts Code:	Internal Fitting	
	LKF-M6720-A	LKF-M6720-B
Mounting thread stem	M16/M12 Receptacle	
Float	PVDF (Polyvinylidene Fluoride),kynar®	
Operation Temp.	PVDF, $\varnothing 17 \times 36$	
Max.Pressure	-20°C To +105°C	
Float S.G.	5 bar	
Mini.Fluid S.G	0.7	
Contact Form	0.8	
Switch Rating VA	50W	100W
Switching Voltage Max.	300 Vac / 350 Vdc	50 Vac / 200 Vdc
Switching Current Max.	DC 0.7 A / AC 0.5 A	DC 1.0 A / AC 0.7 A
Carry Current Max.	2.5 A	
Connection	M12 Receptacle Pins 1 & 2 For Switch	

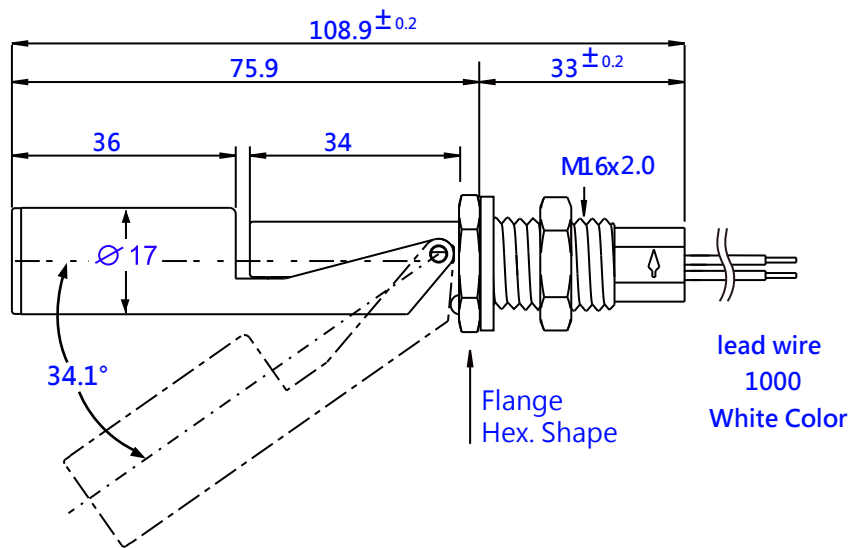


EOC. M.Büchner GmbH & Co.KG
 Heegwaldring 2 Gewerbegebiet Limeshain-Nord
 D - 63694 Limeshain Germany
 T: +49 (0)6047 - 96280 F: +49 (0)6047 - 962814
 E: info@m-buechner.de www.m-buechner.de



Housing Color:
P.V.D.F=White

100W



Parts Code:

LKF-H6720-B

Mounting Style	Internal Fitting
Mounting thread	M16 x P2.0
stem	PVDF (Polyvinylidene Fluoride),kynar®
Float	PVDF, Ø17X36
Operation Temp.	-20°C To +105°C
Max.Pressure	5 bar
Float S.G.	0.7
Mini.Fluid S.G	0.8
Contact Form	SPST
Switch Rating VA	100W
Switching Voltage Max.	150 Vac / 200 Vdc
Switching Current Max.	DC 1.0 A / AC 0.7 A
Carry Current Max.	2.5 A
Lead Wires	UL 3266 AWG 22 XLPE Lead Wire 1M



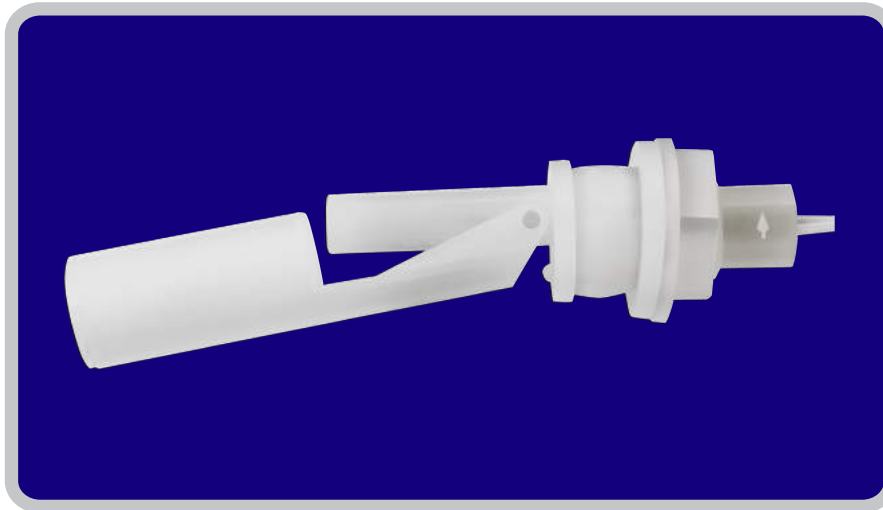
EOC. M.Büchner GmbH & Co.KG

Heegwaldring 2 Gewerbegebiet Limeshain-Nord

D - 63694 Limeshain Germany

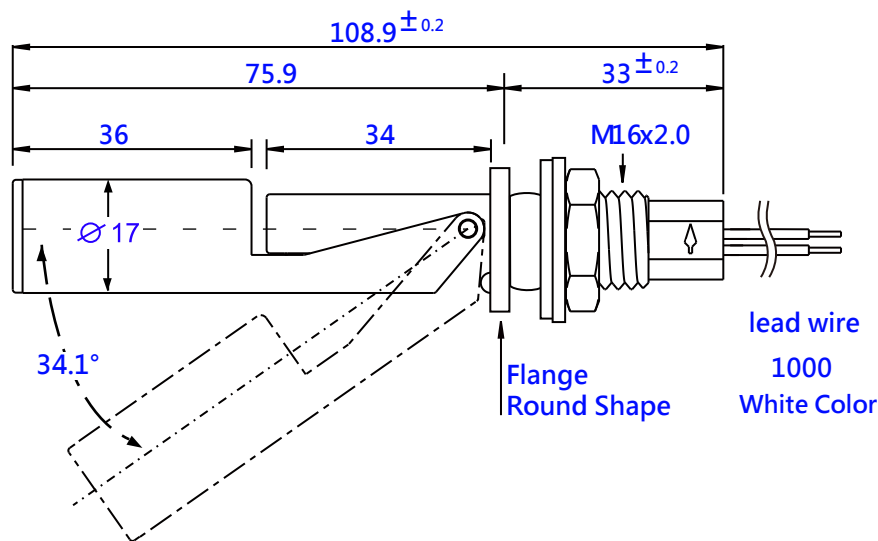
T: +49 (0)6047 - 96280 F: +49 (0)6047 - 962814

E: info@m-buechner.de www.m-buechner.de



Housing Color:
P.V.D.F=White

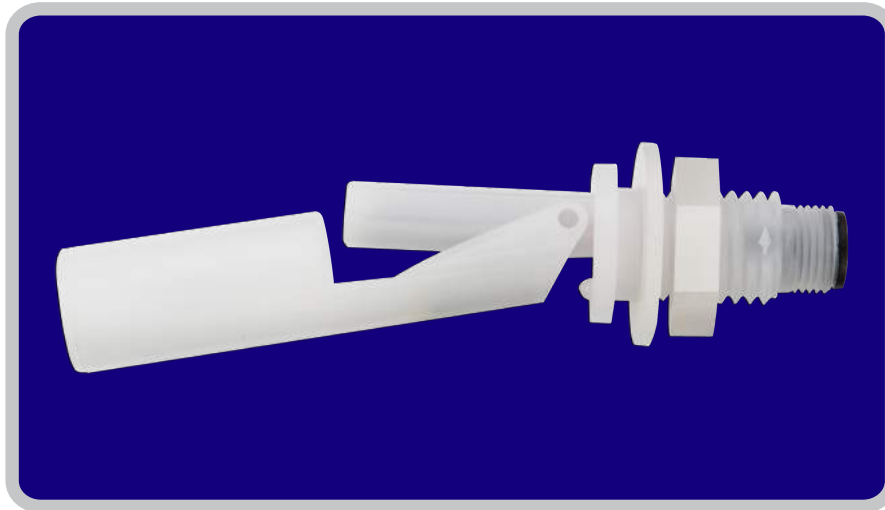
100W



Parts Code:

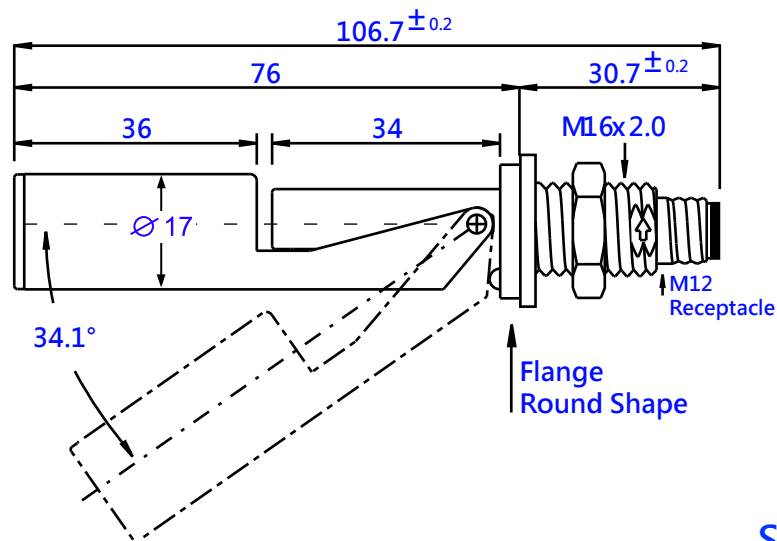
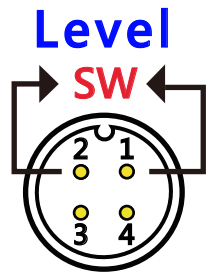
LKF-R6720-B

Mounting Style	Universal In/External Fitting
Mounting thread	M16 x P2.0
stem	PVDF (Polyvinylidene Fluoride),kynar®
Float	PVDF,Ø17X36
Operation Temp.	-20°C To +105°C
Max.Pressure	5 bar
Float S.G.	0.7
Mini.Fluid S.G	0.8
Contact Form	SPST
Switch Rating VA	100W
Switching Voltage Max.	150 Vac / 200 Vdc
Switching Current Max.	DC 1.0 A / AC 0.7 A
Carry Current Max.	2.5 A
Lead Wires	UL 3266 AWG 22 XLPE Lead Wire 1M



Housing Color:
P.V.D.F=White

100W

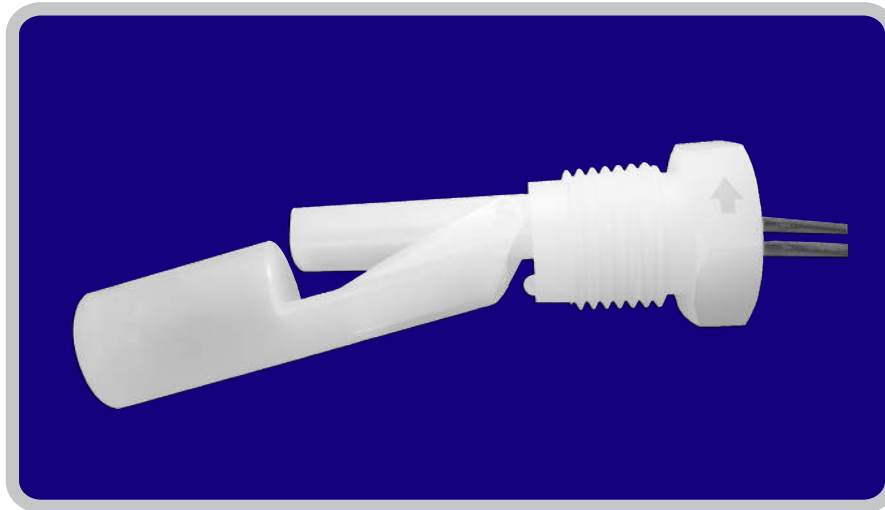


Switch On Pins 1 & 2

Parts Code:

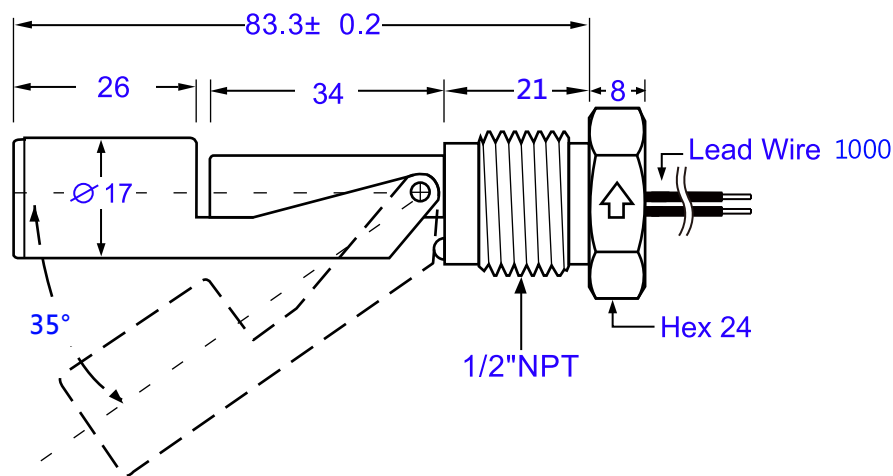
LKF-M6720-B

Mounting Style	Internal Fitting
Mounting thread	M16/M12 Receptacle
stem	PVDF (Polyvinylidene Fluoride),kynar®
Float	PVDF,Ø17X36
Operation Temp.	-20°C To +105°C
Max.Pressure	5 bar
Float S.G.	0.7
Mini.Fluid S.G	0.8
Contact Form	SPST
Switch Rating VA	100W
Switching Voltage Max.	150 Vac / 200 Vdc
Switching Current Max.	DC 1.0 A / AC 0.7 A
Carry Current Max.	2.5 A
Connection	M12 Receptacle/ Pins 1 & 2 For Switch



Housing Color:
P.V.D.F=White

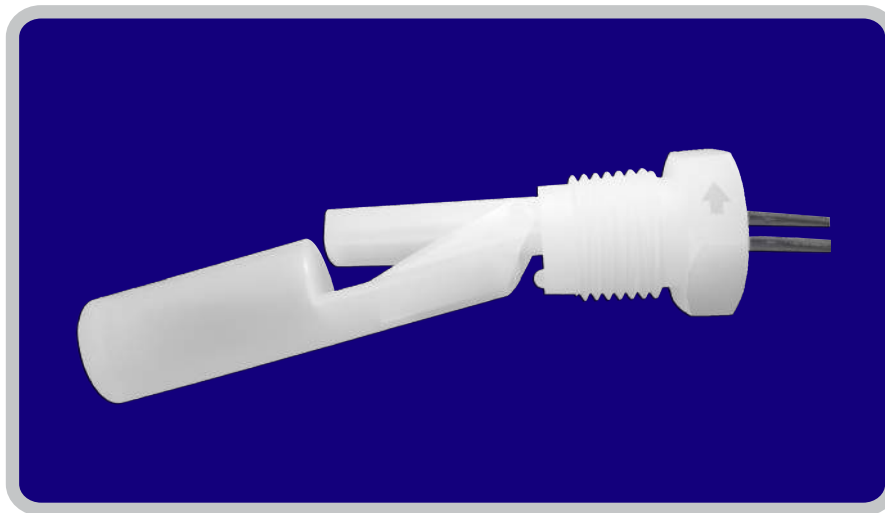
50W



Parts Code:	LKF-H6810
Mounting Style	External Fitting
Mounting thread	1/2"NPT
stem	PVDF (Polyvinylidene Fluoride),kynar [®]
Float	PVDF,Ø17X26
Operation Temp.	-20°C To +105°C
Max.Pressure	5 bar
Float S.G.	0.8
Mini.Fluid S.G	0.85
Contact Form	SPST
Switch Rating VA	50W
Switching Voltage Max.	300 Vac / 350 Vdc
Switching Current Max.	DC 0.7 A / AC 0.5 A
Carry Current Max.	2.5 A
Lead Wires	UL 3266 AWG 22 XLPE Lead Wire 1M

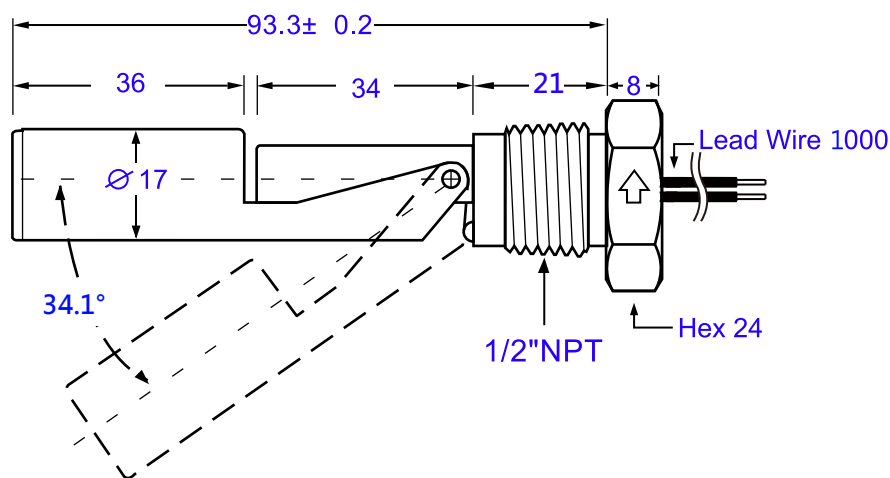


EOC. M.Büchner GmbH & Co.KG
 Heegwaldring 2 Gewerbegebiet Limeshain-Nord
 D - 63694 Limeshain Germany
 T: +49 (0)6047 - 96280 F: +49 (0)6047 - 962814
 E: info@m-buechner.de www.m-buechner.de



Housing Color:
P.V.D.F=White

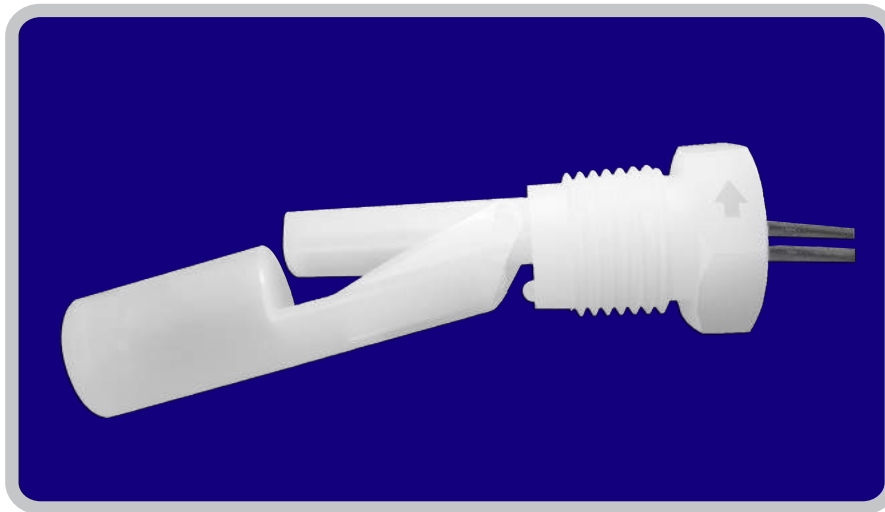
50W



Parts Code:

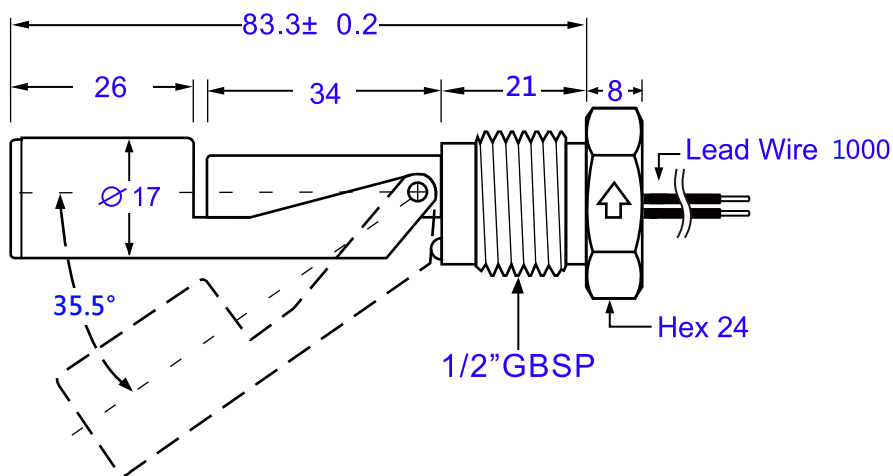
LKF-H6820

Mounting Style	External Fitting
Mounting thread	1/2"NPT
stem	PVDF (Polyvinylidene Fluoride),kynar®
Float	PVDF,Ø17X36
Operation Temp.	-20°C To +105°C
Max.Pressure	5 bar
Float S.G.	0.7
Mini.Fluid S.G	0.8
Contact Form	SPST
Switch Rating VA	50W
Switching Voltage Max.	300 Vac / 350 Vdc
Switching Current Max.	DC 0.7 A / AC 0.5 A
Carry Current Max.	2.5 A
Lead Wires	UL 3266 AWG 22 XLPE Lead Wire 1M



Housing Color:
P.V.D.F=White

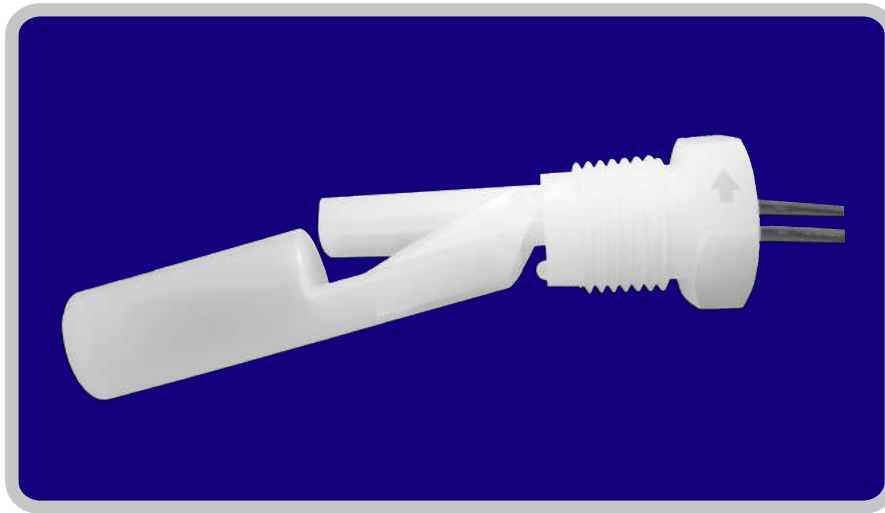
50W



Parts Code:

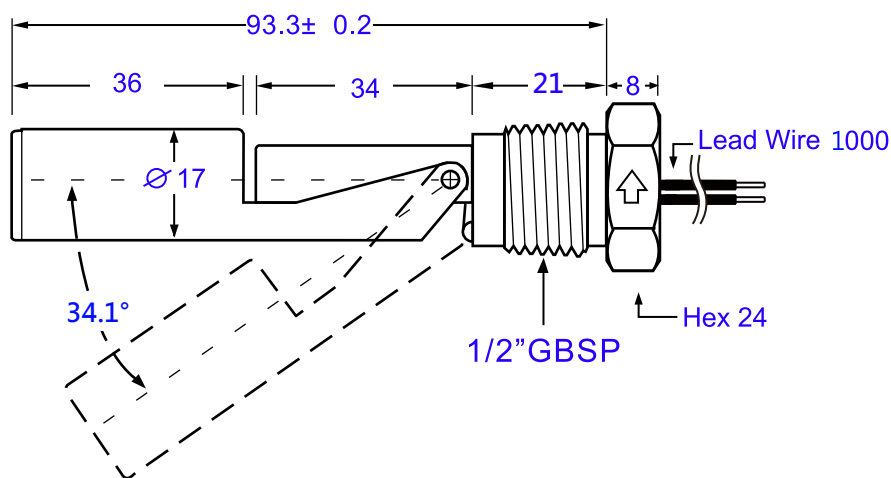
LKF-H6910

Mounting Style	External Fitting
Mounting thread	1/2"GBSP
stem	PVDF (Polyinylidene Fluoride),kynar®
Float	PVDF,Ø17X26
Operation Temp.	-20°C To +105°C
Max.Pressure	5 bar
Float S.G.	0.8
Mini.Fluid S.G	0.85
Contact Form	SPST
Switch Rating VA	50W
Switching Voltage Max.	300 Vac / 350 Vdc
Switching Current Max.	DC 0.7 A / AC 0.5 A
Carry Current Max.	2.5 A
Lead Wires	UL 3266 AWG 22 XLPE Lead Wire 1M



Housing Color:
P.V.D.F=White

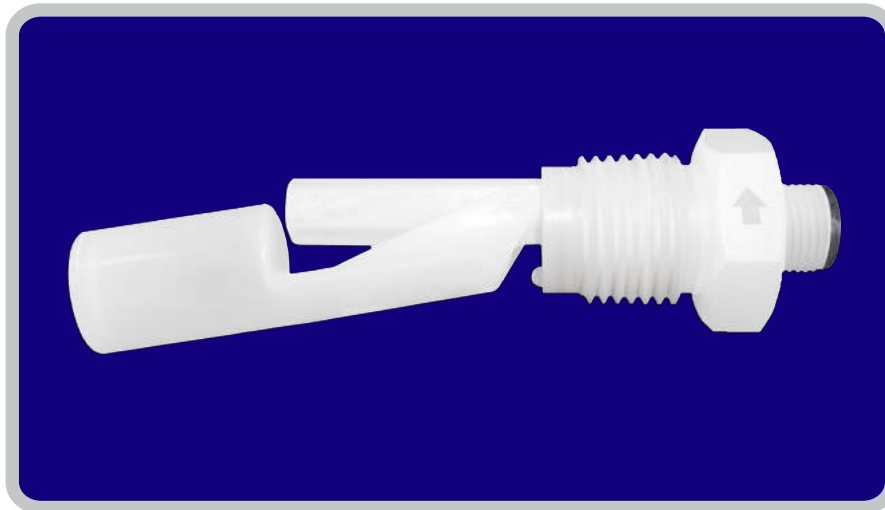
50W



Parts Code:	LKF-H6920
Mounting Style	External Fitting
Mounting thread	1/2"GBSP
stem	PVDF (Polyvinylidene Fluoride),kynar®
Float	PVDF,Ø17X36
Operation Temp.	-20°C To +105°C
Max.Pressure	5 bar
Float S.G.	0.7
Mini.Fluid S.G	0.8
Contact Form	SPST
Switch Rating VA	50W
Switching Voltage Max.	300 Vac / 350 Vdc
Switching Current Max.	DC 0.7 A / AC 0.5 A
Carry Current Max.	2.5 A
Lead Wires	UL 3266 AWG 22 XLPE Lead Wire 1M



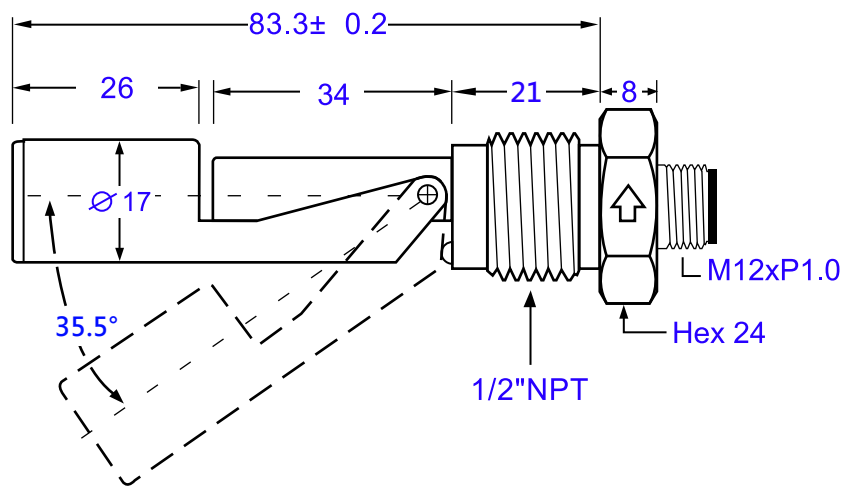
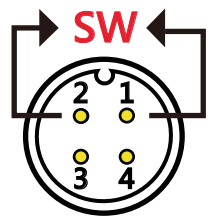
EOC. M.Büchner GmbH & Co.KG
 Heegwaldring 2 Gewerbegebiet Limeshain-Nord
 D - 63694 Limeshain Germany
 T: +49 (0)6047 - 96280 F: +49 (0)6047 - 962814
 E: info@m-buechner.de www.m-buechner.de



Housing Color:
P.V.D.F=White

50W

Level

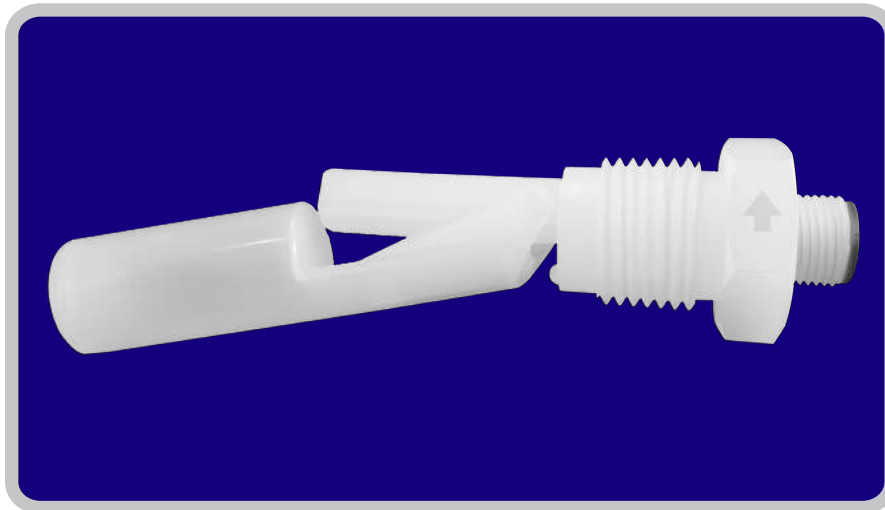


Switch On Pins 1 & 2

Parts Code:	LKF-M6810
Mounting Style	External Fitting
Mounting thread	1/2"NPT
stem	PVDF (Polyvinylidene Fluoride),kynar®
Float	PVDF, Ø17X26
Operation Temp.	-20°C To +105°C
Max.Pressure	5 bar
Float S.G.	0.8
Mini.Fluid S.G	0.85
Contact Form	SPST
Switch Rating VA	50W
Switching Voltage Max.	300 Vac / 350 Vdc
Switching Current Max.	DC 0.7 A / AC 0.5 A
Carry Current Max.	2.5 A
Lead Wires	M12 Receptacle Pins 1 & 2 For Switch

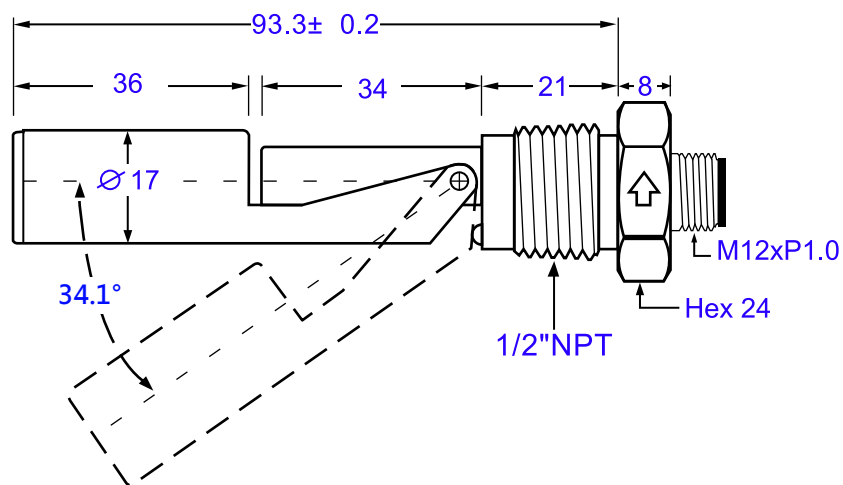
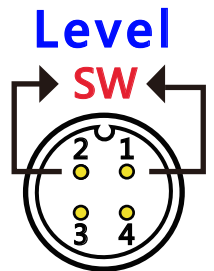


EOC. M.Büchner GmbH & Co.KG
 Heegwaldring 2 Gewerbegebiet Limeshain-Nord
 D - 63694 Limeshain Germany
 T: +49 (0)6047 - 96280 F: +49 (0)6047 - 962814
 E: info@m-buechner.de www.m-buechner.de



Housing Color:
P.V.D.F=White

50W

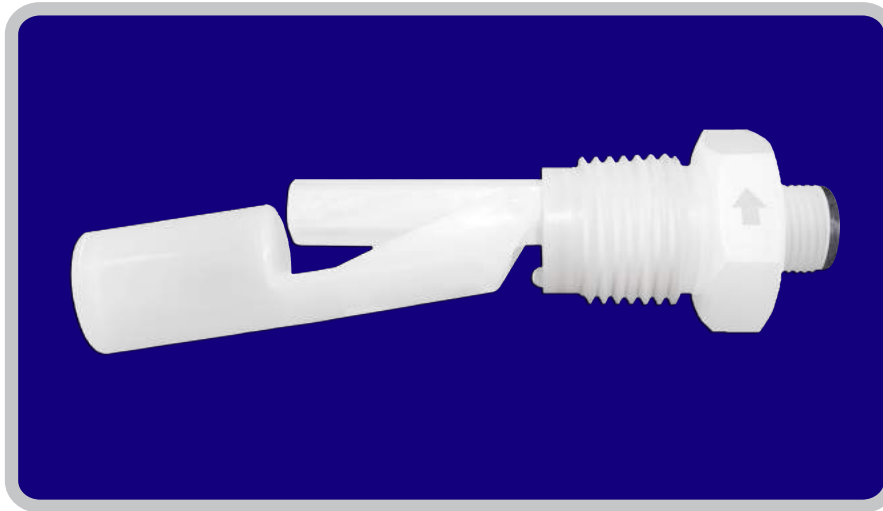


Switch On Pins 1 & 2

Parts Code:	LKF-M6820
Mounting Style	External Fitting
Mounting thread	1/2"NPT
stem	PVDF (Polyvinylidene Fluoride),kynar®
Float	PVDF, Ø17X36
Operation Temp.	-20°C To +105°C
Max.Pressure	5 bar
Float S.G.	0.7
Mini.Fluid S.G	0.8
Contact Form	SPST
Switch Rating VA	50W
Switching Voltage Max.	300 Vac / 350 Vdc
Switching Current Max.	DC 0.7 A / AC 0.5 A
Carry Current Max.	2.5 A
Lead Wires	M12 Receptacle Pins 1 & 2 For Switch

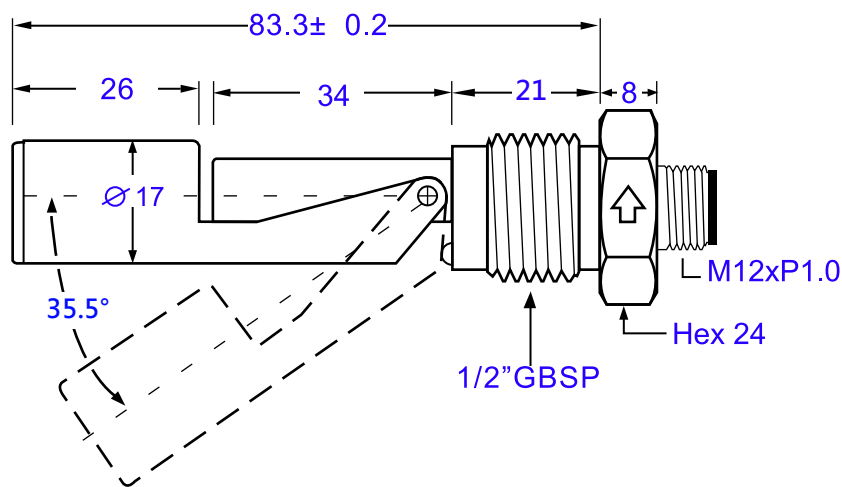
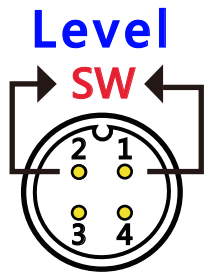


EOC. M.Büchner GmbH & Co.KG
 Heegwaldring 2 Gewerbegebiet Limeshain-Nord
 D - 63694 Limeshain Germany
 T: +49 (0)6047 - 96280 F: +49 (0)6047 - 962814
 E: info@m-buechner.de www.m-buechner.de



Housing Color:
P.V.D.F=White

50W

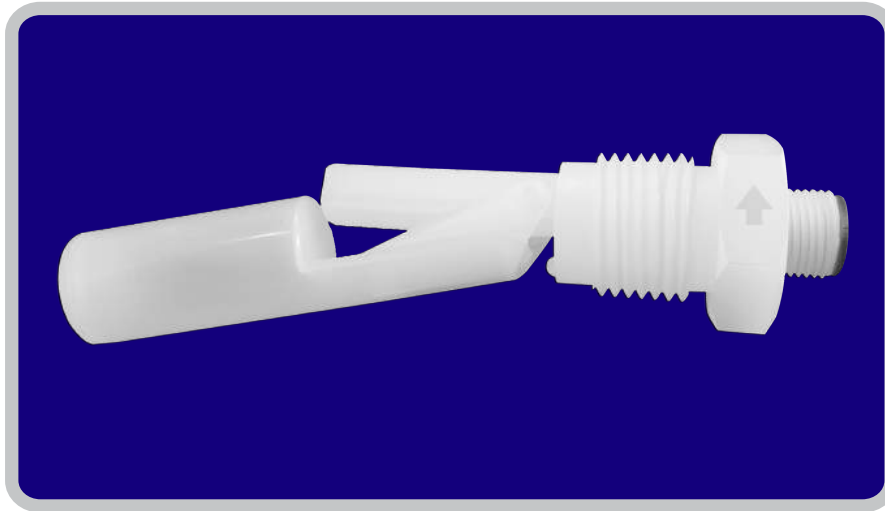


Switch On Pins 1 & 2

Parts Code:	LKF-M6910
Mounting Style	External Fitting
Mounting thread	1/2"GBSP
stem	PVDF (Polyvinylidene Fluoride),kynar®
Float	PVDF, Ø17X26
Operation Temp.	-20°C To +105°C
Max.Pressure	5 bar
Float S.G.	0.8
Mini.Fluid S.G	0.85
Contact Form	SPST
Switch Rating VA	50W
Switching Voltage Max.	300 Vac / 350 Vdc
Switching Current Max.	DC 0.7 A / AC 0.5 A
Carry Current Max.	2.5 A
Lead Wires	M12 Receptacle Pins 1 & 2 For Switch



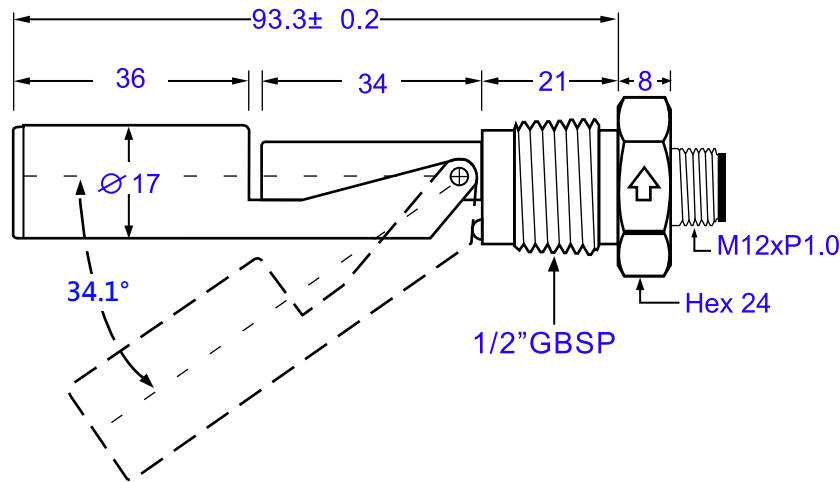
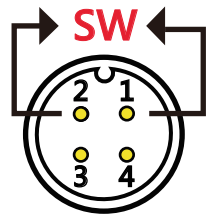
EOC. M.Büchner GmbH & Co.KG
 Heegwaldring 2 Gewerbegebiet Limeshain-Nord
 D - 63694 Limeshain Germany
 T: +49 (0)6047 - 96280 F: +49 (0)6047 - 962814
 E: info@m-buechner.de www.m-buechner.de



Housing Color:
P.V.D.F=White

50W

Level



Switch On Pins 1 & 2

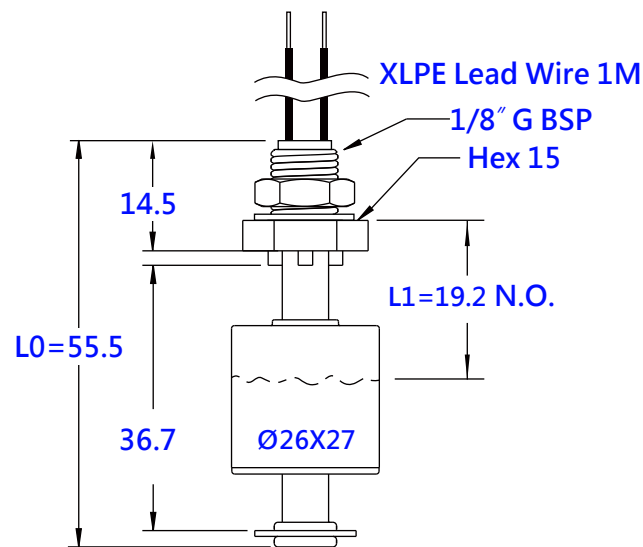
Parts Code:	LKF-M6920
Mounting Style	External Fitting
Mounting thread	1/2"GBSP
stem	PVDF (Polyvinylidene Fluoride),kynar®
Float	PVDF, Ø17X36
Operation Temp.	-20°C To +105°C
Max.Pressure	5 bar
Float S.G.	0.7
Mini.Fluid S.G	0.8
Contact Form	SPST
Switch Rating VA	50W
Switching Voltage Max.	300 Vac / 350 Vdc
Switching Current Max.	DC 0.7 A / AC 0.5 A
Carry Current Max.	2.5 A
Lead Wires	M12 Receptacle Pins 1 & 2 For Switch



EOC. M.Büchner GmbH & Co.KG
 Heegwaldring 2 Gewerbegebiet Limeshain-Nord
 D - 63694 Limeshain Germany
 T: +49 (0)6047 - 96280 F: +49 (0)6047 - 962814
 E: info@m-buechner.de www.m-buechner.de



50W



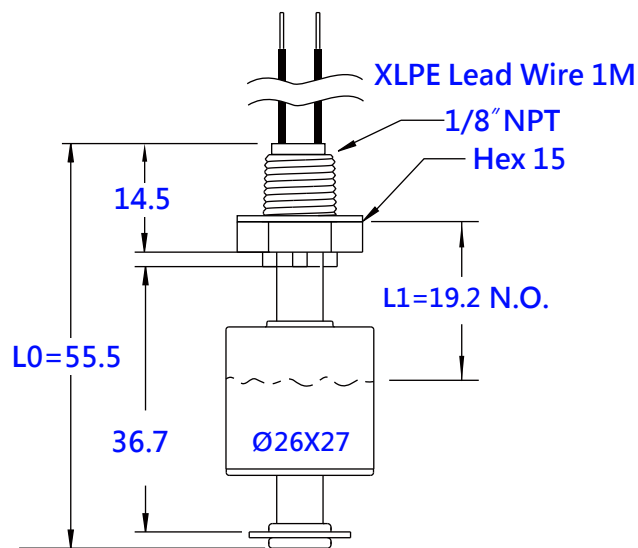
Parts Code:

LPF-1160

Mounting Style	Internal Fitting
Mounting thread	1/8" G BSP
stem	PVDF (Polyvinylidene Fluoride),kynar®
Float	Ø26X27
Operation Temp.	-20°C To +100°C
Max.Pressure	5 bar
Float S.G.	0.8
Mini.Fluid S.G	0.85
Contact Form	SPST
Switch Rating VA	50W
Switching Voltage Max.	300 Vac / 350 Vdc
Switching Current Max.	DC 0.7 A / AC 0.5 A
Carry Current Max.	2.5 A
Lead Wires	UL 3266 AWG 22 XLPE Lead Wire 1M



50W



Parts Code:		LPF-2160
Mounting Style	Internal Fitting	
Mounting thread	1/8" NPT	
stem	PVDF (Polyvinylidene Fluoride),kynar®	
Float	Ø26X27	
Operation Temp.	-20°C To +100°C	
Max.Pressure	5 bar	
Float S.G.	0.8	
Mini.Fluid S.G	0.85	
Contact Form	SPST	
Switch Rating VA	50W	
Switching Voltage Max.	300 Vac / 350 Vdc	
Switching Current Max.	DC 0.7 A / AC 0.5 A	
Carry Current Max.	2.5 A	
Lead Wires	UL 3266 AWG 22 XLPE Lead Wire 1M	



EOC. M.Büchner GmbH & Co.KG
 Heegwaldring 2 Gewerbegebiet Limeshain-Nord
 D - 63694 Limeshain Germany
 T: +49 (0)6047 - 96280 F: +49 (0)6047 - 962814
 E: info@m-buechner.de www.m-buechner.de

Series: LK _____ **L K** - -

Body: _____
F: PVDF
P: P.P.

Process Edge Shape: _____
R: Round Shape
H: Hex. Shape
M: M12 Receptacle

Process Connection Thread: _____
67: M16 x P2.0
68: 1/2" NPT
69: 1/2" GBSP

Float Size: _____
10: ø17.3 x 26.3
20: ø17.3 x 36.3

Contact Rating: _____
A: 50W
B: 100W
AT: 50W+Temp. Sensor(NTC)
BT: 100W+Temp. Sensor(NTC)

X:Conduit Special Request: _____